

ETA K 700 H WOJL

165410

- Compact air handling unit with counter flow heat exchanger
- Horizontal connections, version left
- Frameless, double wall housing made of galvanized steel sheet, insulated
- Constant air flow EC fans, integrated controls
- Warm water heating, without cooling, panel filter F7/M5
- For indoor and outdoor installation (optional accessories)
- Constructed acc. to VDI 6022



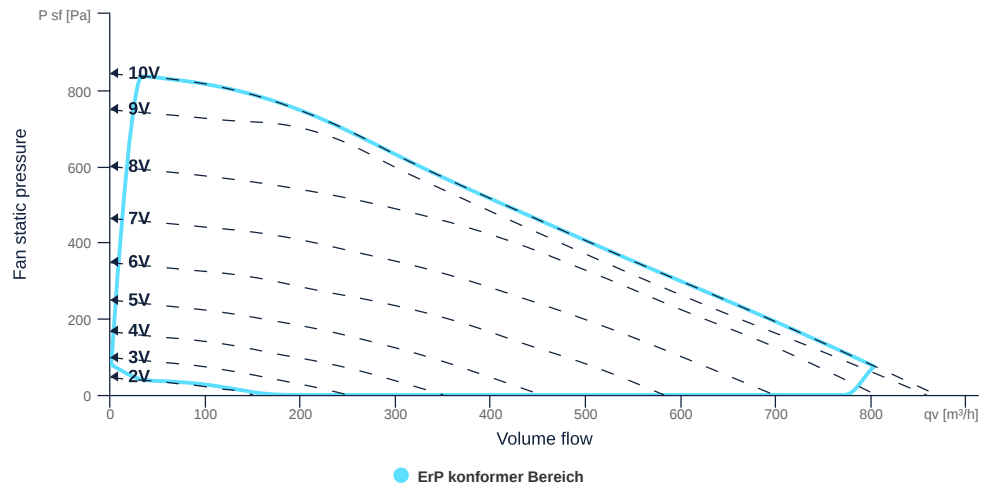
to the product detail page

ETA K 700 H WOJL

165410

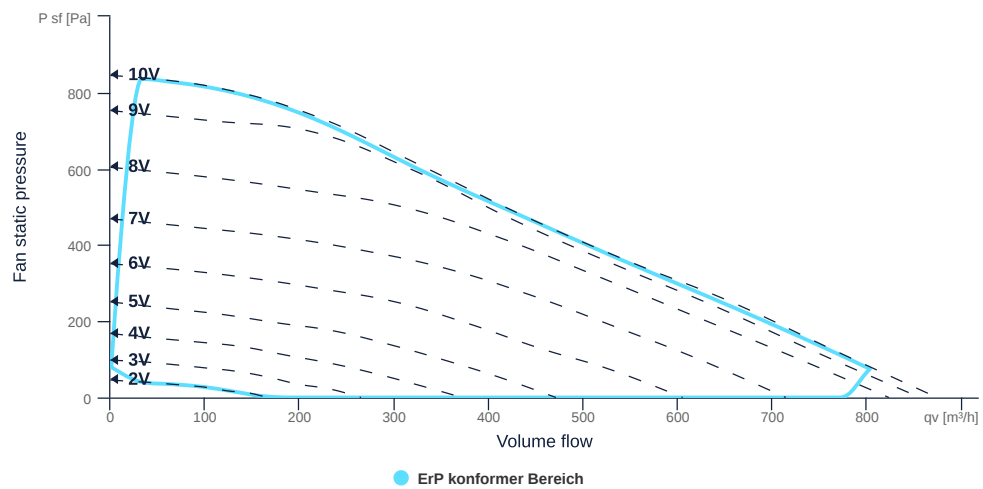
MAP

Name	Value	Unit
Volume flow	0	m³/h
Pressure	0	Pa



EXTRACT AIR MAP

Name	Value	Unit
Volume flow	0	m³/h
Pressure	0	Pa



to the product detail page

GENERAL DATA

Name	Value	Unit	Formula symbol
Labeling	CE, UKCA		
Duct size	400x250		WxD _{duct}
Rated voltage (entire device)	230	V	U _{rated}
Phases (entire device)	1~		phase
Electrical protection (entire device)	6 A		fuse
Housing material	Galvanized steel		mat _{casing}
IP-protection class (casing)	IP41		IP _{casing}
IP-protection class (entire device)	IP44		IP _{compl}
Weight	170	kg	m
Nominal air flow rate, nominal point m³/h	410.4	m³/h	q _{v,nom}
Nominal external pressure, static	464.8	Pa	p _{s,nom}
Connection side supply air	Left		L/R
Type of the ventilation-unit	BVU - supply air		AHU _{type}
Type of heat-recovery-system	recuperative		HRS _{type}
Type of the heater	Hot water		H _{type}
Type of cooler	No		C _{type}
Outdoor installation	Yes, up to -20°C		outdoor
Leak class	L2		L _{class}
Speed control	variable speed control		VSD _{type}
Filter class extract air	ISO ePM10 65%		F _{class, eta}
Filter class supply air	ISO ePM1 55%		F _{class, sup}
Mechanical stability class	D2		D _{class}

ERP DATA (LOT 6)

Name	Value	Unit	Formula symbol
Energy performance supply air filter	E		
Energy performance extract air filter	E		
Thermal efficiency HRS, Nominal-point	82.3	%	t _{NRVU}
Nominal air flow rate, nominal point m³/s	0.11	m³/s	q _{v,nom}
Actual electrical input power, nominal point	0.31	kW	P _{e,nom}
Internal specific fan power, nominal point	841.1	Ws/m³	SFP _{int}
Face velocity, nominal point	0.6	m/s	V _{nom}
Nominal external pressure, static	464.8	Pa	p _{s,nom}
supply air fan static efficiency, nominal point	52	%	η _{es,SUP}
static efficiency of the extract fan, nominal point	52	%	η _{es,EHA}
Highest external air leakage rate	4.63	%	
Rating	Product is compliant 2018		



to the product detail page

ETA K 700 H WOJL

165410

ruck

MAXIMAL DATA

Name	Value	Unit	Formula symbol
Max. power consumption (device)	360	W	$P_{ed, max}$
Max. operating current (device)	3	A	$I_{ed, max}$
Max. speed	3800	1/min	n_{max}
Max. stat. efficiency	31.4	%	η_{es}
Max. fan efficiency	31.5	%	η_e
Max. flowrate	870	m ³ /h	$q_{v, max}$
Max. stat pressure	840	Pa	$p_{sf, max}$
Max. medium temperature	40	°C	$T_{m, max}$
Max. environment temperature	40	°C	$T_{amb, max}$
Min. environment temperature	-20	°C	$T_{amb, min}$

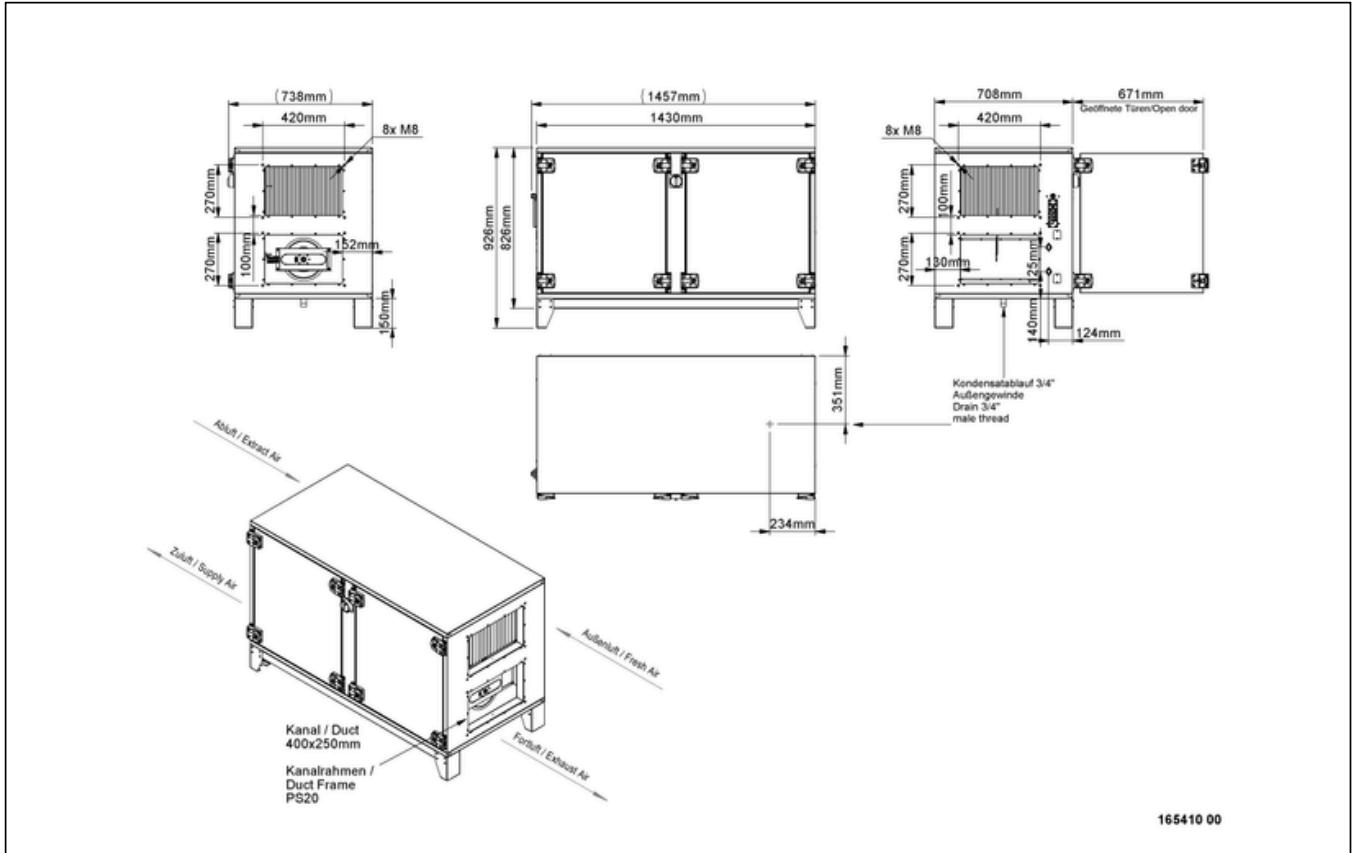
FILTER DATA

Name	Value	Unit	Formula symbol
Degree of separation (supply air)	55	%	
Degree of separation (extract air)	65	%	
Filter group (extract air)	ISO ePM10		
Filter group (supply air)	ISO ePM1		

ETA K 700 H WOJL

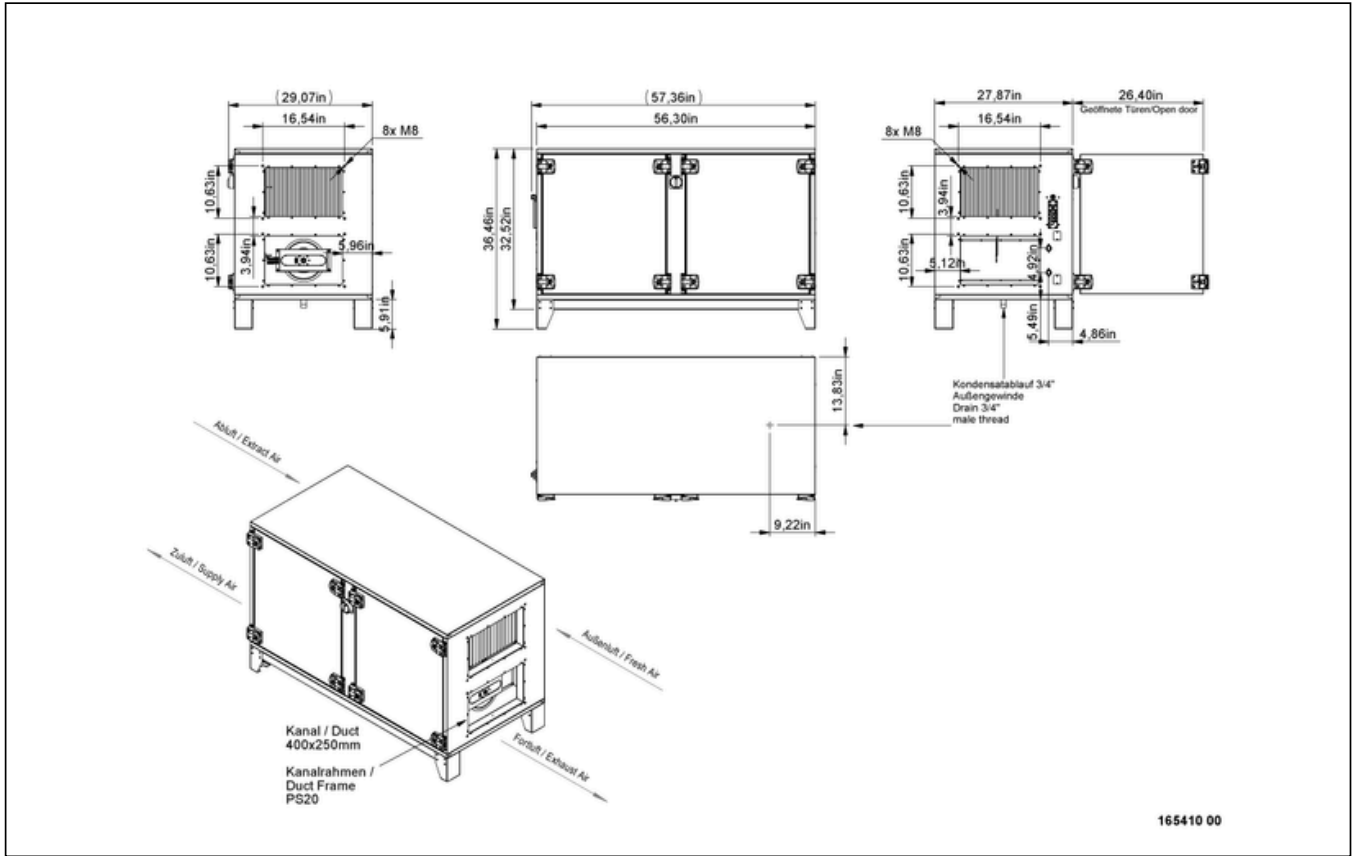
165410

CIRCUIT DIAGRAMS / DIMENSIONAL DRAWINGS



ETA K 700 H WOJL

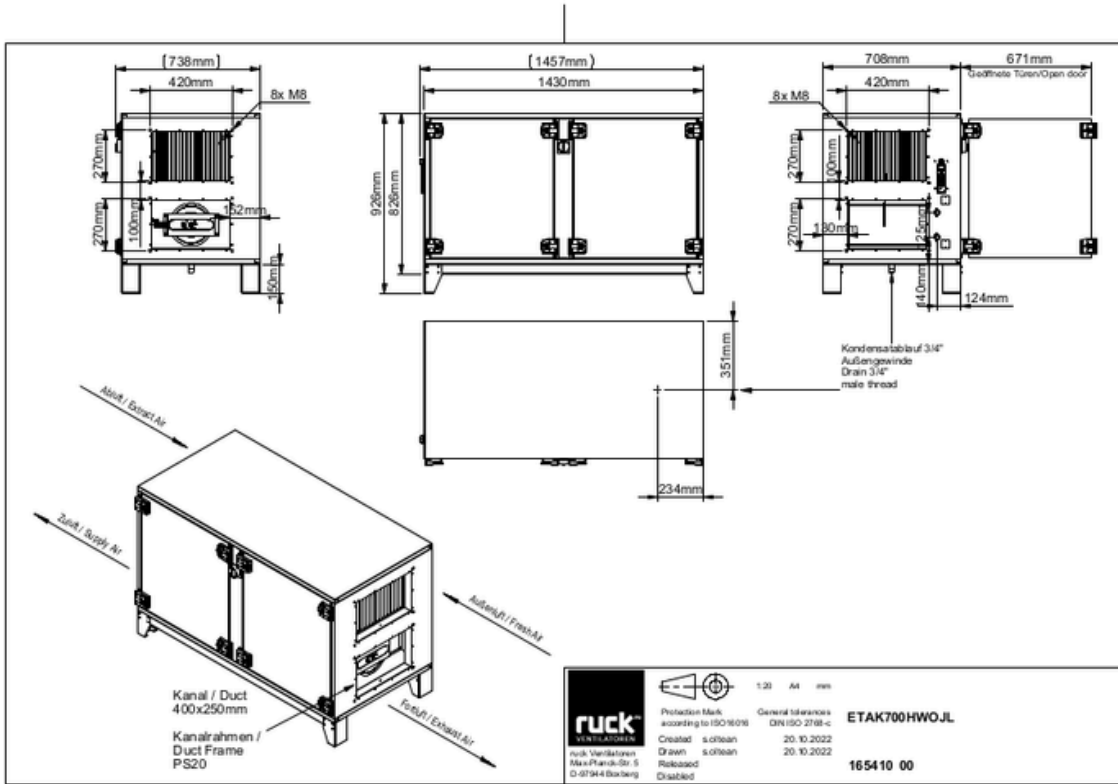
165410



to the product detail page

ETA K 700 H WOJL

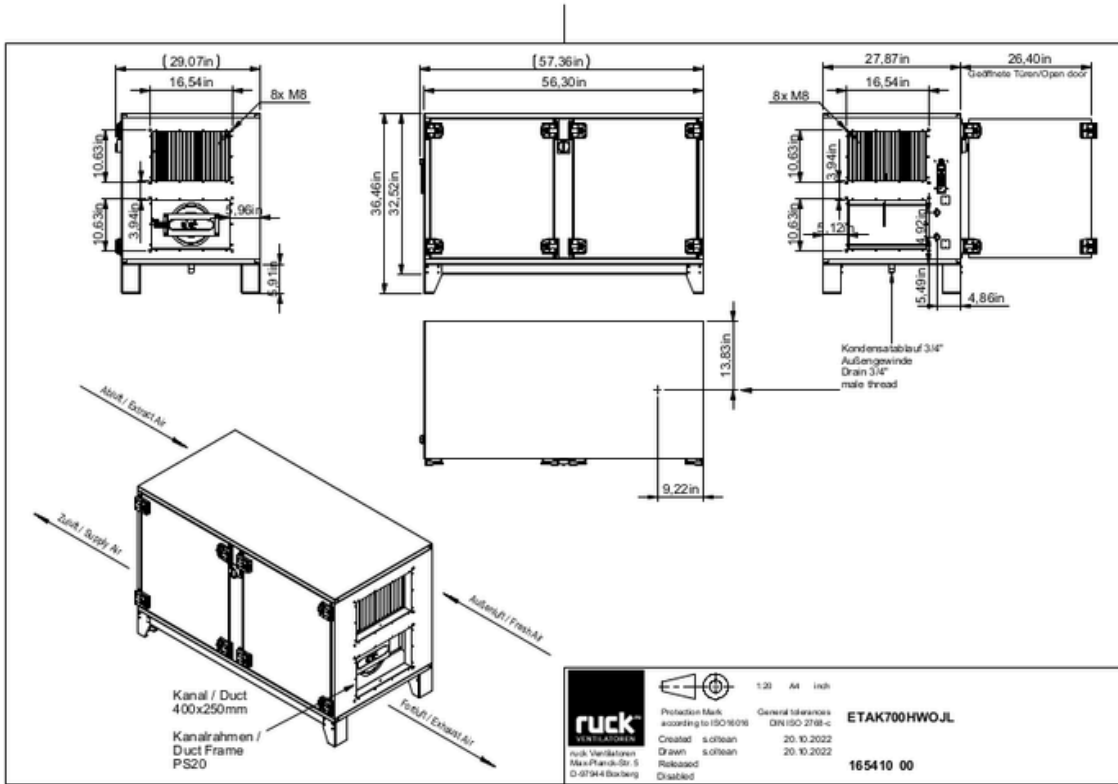
165410



to the product detail page

ETA K 700 H WOJL

165410



to the product detail page