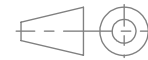
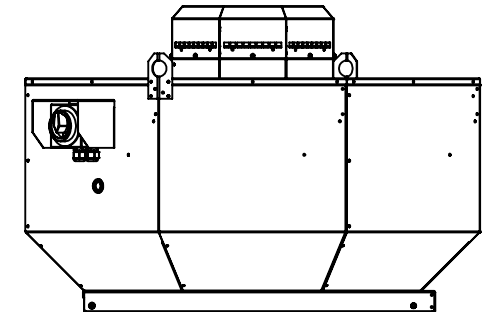
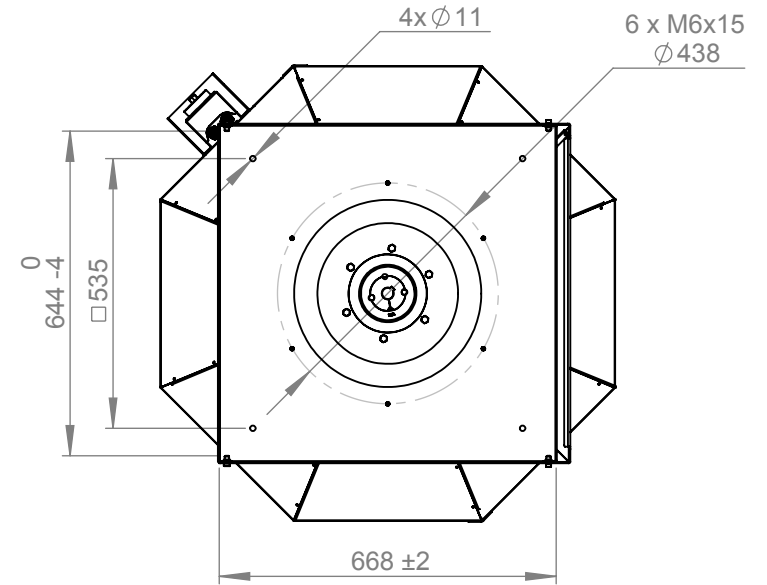


Luft / Air



Protection Mark according to ISO16016

Created s.pop
 Drawn s.pop
 Released s.pop
 Disabled

1:15 A4 mm

General tolerances DIN ISO 2768-c

12.05.2022
 12.05.2022
 26.05.2022

DVL450D4RK-01

163317 00