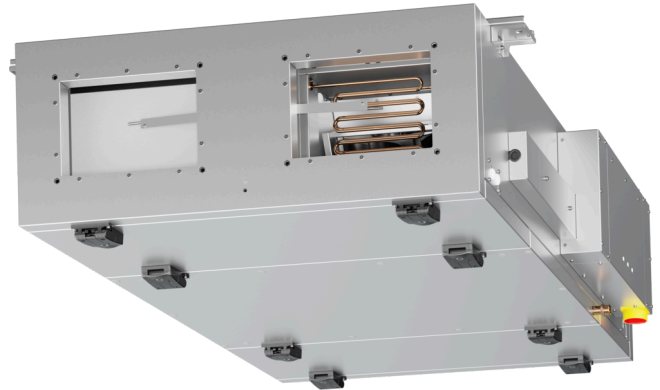


ETA K 700 F WOJL

163710

- Flat air handling unit with counter flow heat exchanger
- Ceiling mounting, version left
- Frameless, double wall housing made of galvanized steel sheet, insulated
- Constant air flow EC fans, integrated controls
- Automatic summer bypass
- Warm water heating, without cooling, panel filter F7/M5
- Constructed acc. to VDI 6022



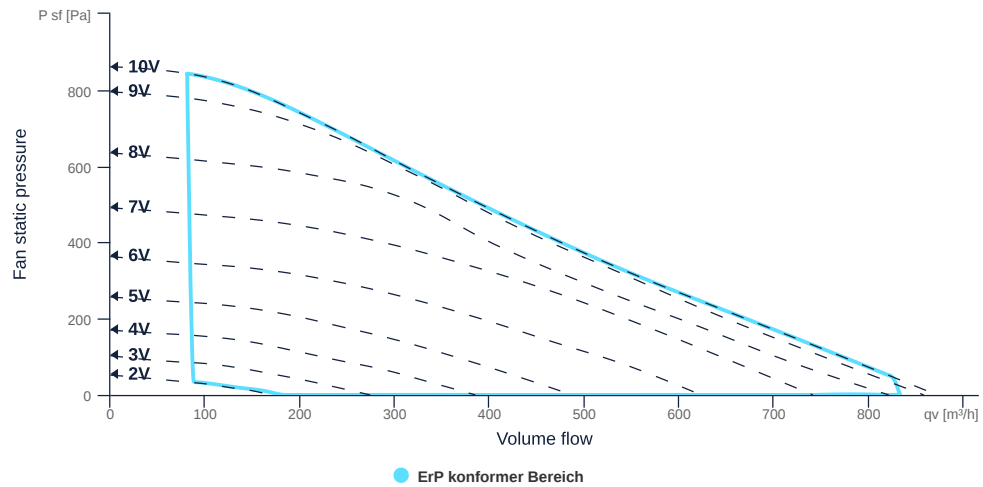
to the product detail page

ETA K 700 F WOJL

163710

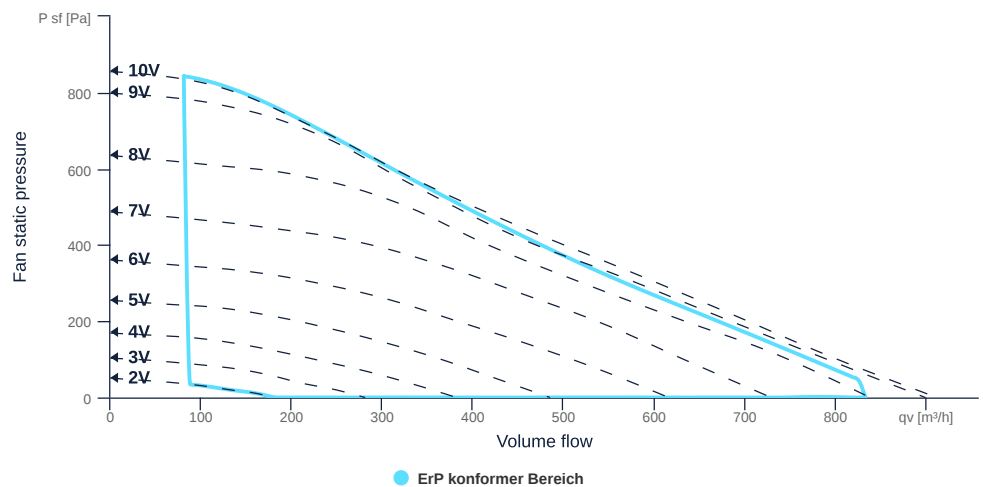
MAP

Name	Value	Unit
Volume flow	0	m³/h
Pressure	0	Pa



EXTRACT AIR MAP

Name	Value	Unit
Volume flow	0	m³/h
Pressure	0	Pa



to the product detail page

GENERAL DATA

Name	Value	Unit	Formula symbol
Labeling	CE, UKCA		
Duct size	300x200		WxH _{duct}
Rated voltage (entire device)	230	V	U _{rated}
Phases (entire device)	1~		phase
Electrical protection (entire device)	6 A		fuse
Housing material	Galvanized steel		mat _{casing}
IP-protection class (casing)	IP41		IP _{casing}
Weight	138	kg	m
Nominal air flow rate, nominal point m ³ /h	604.8	m ³ /h	q _{v,nom}
Nominal external pressure, static	200	Pa	p _{s,nom}
Connection side supply air	Left		L/R
Type of the ventilation-unit	BVU - supply air		AHU _{type}
Type of heat-recovery-system	recuperative		HRS _{type}
Type of the heater	Hot water		H _{type}
Type of cooler	No		C _{type}
Outdoor installation	No		outdoor
Leak class	L2		L _{class}
Speed control	variable speed control		VSD _{type}
Filter class extract air	ISO ePM10 50%		F _{class, eta}
Filter class supply air	ISO ePM1 55%		F _{class, sup}
Mechanical stability class	D2		D _{class}

ERP DATA (LOT 6)

Name	Value	Unit	Formula symbol
Energy performance supply air filter		E	
Energy performance extract air filter		E	
Thermal efficiency HRS, Nominal-point	81.59	%	t _{NRVU}
Nominal air flow rate, nominal point m ³ /s	0.17	m ³ /s	q _{v,nom}
Actual electrical input power, nominal point	0.28	kW	P _{e,nom}
Internal specific fan power, nominal point	906.87	Ws/m ³	SFP _{int}
Face velocity, nominal point	1.19	m/s	v _{nom}
Nominal external pressure, static	200	Pa	p _{s,nom}
supply air fan static efficiency, nominal point	52.75	%	η _{es,SUP}
static efficiency of the extract fan, nominal point	49.78	%	η _{es,EHA}
Highest external air leakage rate	1.82	%	
Enclosure sound level, nominal point	55.9	dB(A)	LWA ₂
Rating	Product is compliant 2018		
Internal pressure drop of ventilation components supply air, nominal point	258.75	Pa	dp _{vent,nom,int,SUP}
Internal pressure drop of ventilation components extract air, nominal point	207.28	Pa	dp _{vent,nom,int,EHA}



to the product detail page

MAXIMAL DATA

Name	Value	Unit	Formula symbol
Max. power consumption (device)	370	W	$P_{ed, max}$
Max. operating current (device)	3.2	A	$I_{ed, max}$
Max. speed	3820	1/min	n_{max}
Max. stat. efficiency	30.5	%	η_{es}
Max. fan efficiency	30.6	%	η_e
Max. flowrate	870	m ³ /h	$q_{v, max}$
Max. stat pressure	860	Pa	$p_{sf, max}$
Max. medium temperature	40	°C	$T_{m, max}$
Max. environment temperature	40	°C	$T_{amb, max}$
Min. environment temperature	-20	°C	$T_{amb, min}$

FILTER DATA

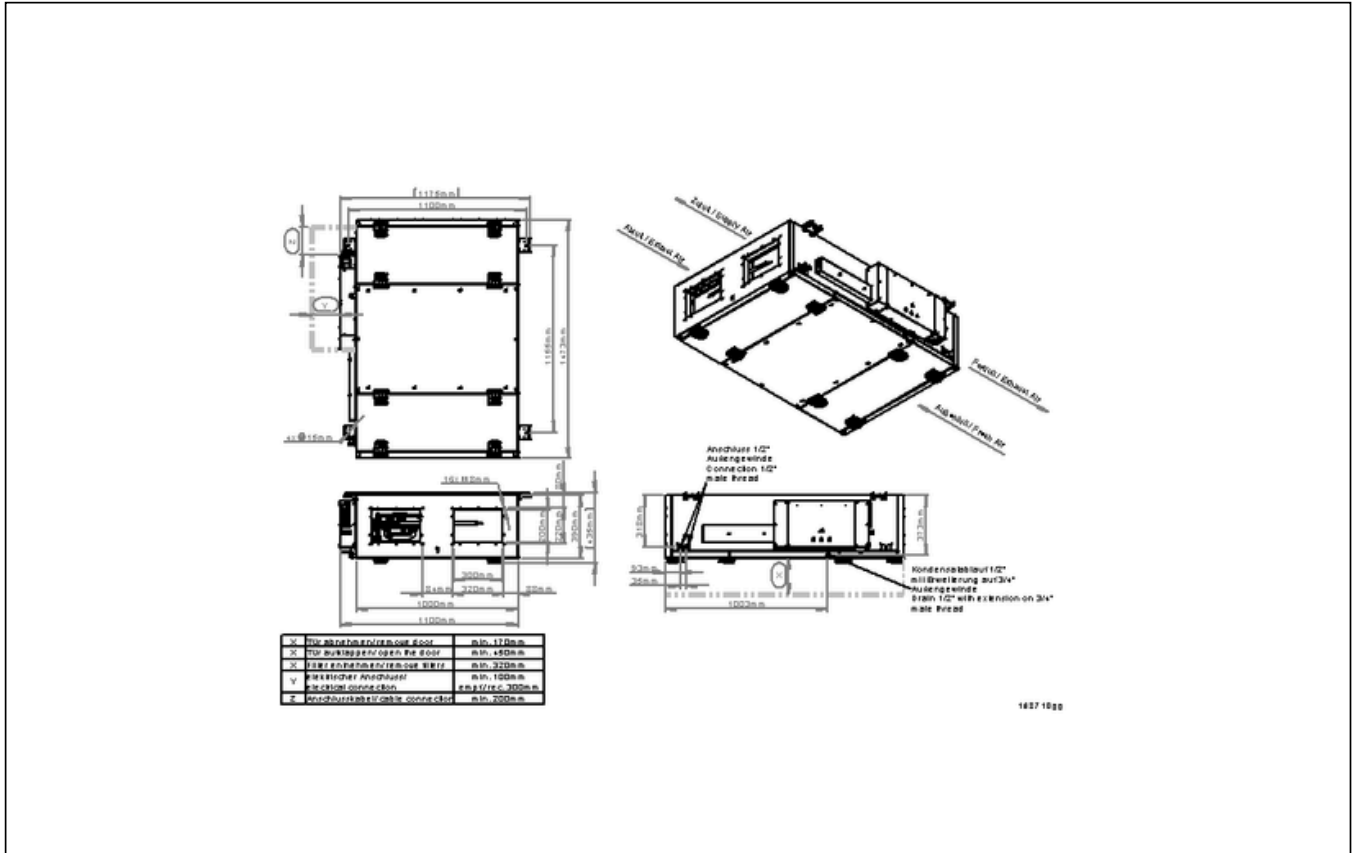
Name	Value	Unit	Formula symbol
Degree of separation (supply air)	55	%	
Degree of separation (extract air)	50	%	
Filter group (extract air)	ISO ePM10		
Filter group (supply air)	ISO ePM1		



ETA K 700 F WOJL

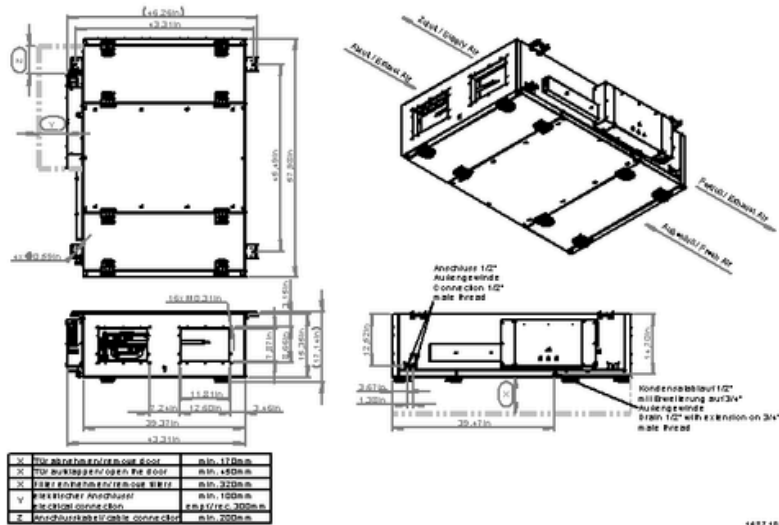
163710

CIRCUIT DIAGRAMS / DIMENSIONAL DRAWINGS



ETA K 700 F WOJL

163710



1637 1030



to the product detail page

ETA K 700 F WOJL

163710

Z 4x Ø 15mm

1175mm
1100mm

1155mm
1473mm

16x M8mm

80mm

200mm
220mm
330mm
(435mm)

184mm 300mm 88mm

1000mm 1100mm

Zuluft / Supply Air

Abluft / Extract Air

Fortluft / Exhaust Air

Außenluft / Fresh Air

Anschluss 1/2" Außengewinde
Connection 1/2" male thread

316mm

93mm
35mm

1003mm

373mm

Kondensatablauf 1/2" mit Erweiterung auf 3/4" Außengewinde
Drain 1/2" with extension on 3/4" male thread

X	Tür abnehmen/ remove door	min. 170mm
X	Tür aufklappen/ open the door	min. 450mm
X	Filter entnehmen/ remove filters	min. 320mm
Y	elektrischer Anschluss/ electrical connection	min. 100mm empf./ rec. 300mm
Z	Anschlusskabel/ cable connection	min. 200mm

ruck Protection Mark according to ISO 16016

Created ma.fessler 08.06.2022
Drawn ma.fessler 08.06.2022
Released ma.fessler 29.03.2023
Disabled

General tolerances
DIN ISO 2768-c

ETA K700FWOJL

1:17 A4 mm

163710 00

ETA K 700 F WOJL

163710

