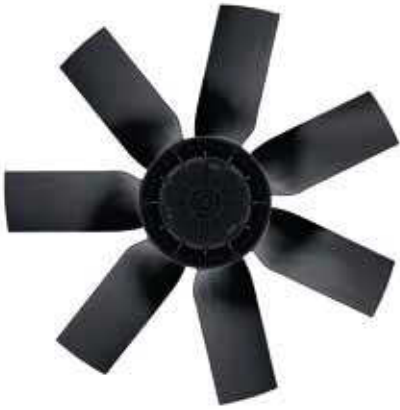


FC

for single phase alternating current, 4 pole

FCO45-4E



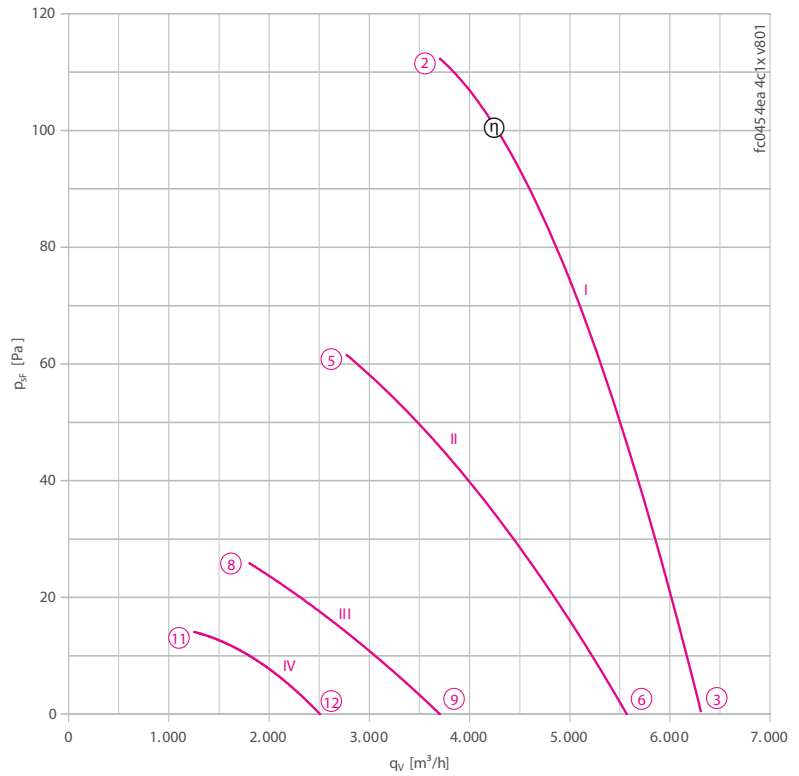
Description

Motor technology: AC
 Rated voltage U_N : 1~ 230 V±10 %*
 Rated frequency f_N : 50 Hz*
 Input power P_i : 360 W*
 Rated current I_N : 1.60 A*
 Rated speed n_N : 1370 min⁻¹*
 Starting current I_s : 3.40 A
 Current increase ΔI : 30 %
 Service capacitor C_{400V} : 6.0 µF
 Thermal class: **THCL155***
 Min. permitted ambient temperature $t_{R(min)}$: -25 °C
 Max. permitted ambient temperature $t_{R(max)}$: 60 °C
 Electrical connection: Terminal box
 Number of blades: 7
 Protection class: IP54
 Motor protection: thermal contact
 Blades: Aluminium, 1 coat paint, jet black
 Rotor: Aluminium, 1 coat paint, jet black
 Conformity: ErP 2015, CE

ErP-data

Efficiency η_{statA} : 32.3 %
 Efficiency: $N_{actual} = 41.5 / N_{target} = 40$ **
 * Rated data
 **ErP 2015

Characteristic curve



Measured in full bell mouth without guard grille in installation type A according to ISO 5801.

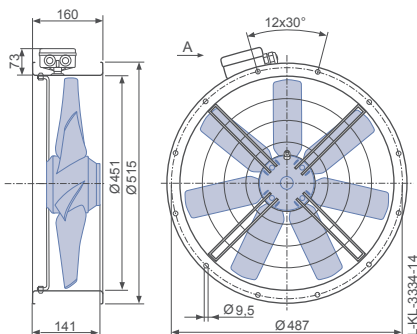
Connection diagram

Page 192
1360-104XB

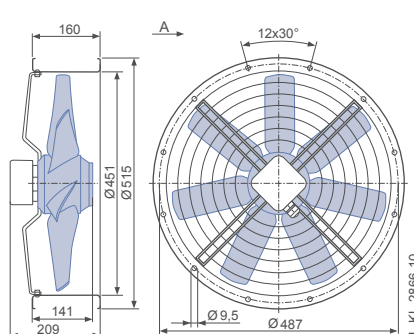
Dimensions mm

Airflow direction A

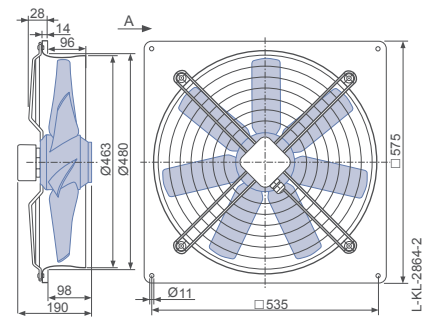
Design F - flange ring with two flanges, without guard grille



Design F - flange ring with two flanges, guard grille suction side



Design Q - square full bell mouth, guard grille suction side

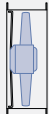

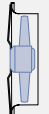


Performance data

| Type | Characteristic curve | Voltage | Operating point | Current | Input power | Speed | Suction side sound power level L_{WAS} dB(A) |
|----------------|----------------------|---------|-----------------|---------|-------------|------------------------|--|
| | | U V | | I A | P_1 W | n min ⁻¹ | |
| FC045-4E_4C.A7 | I | 230* | ② | 1.60* | 360* | 1370* | 78 |
| | | 230 | ③ | 1.40 | 320 | 1390 | 78 |
| | II | 160 | ⑤ | 1.95 | 300 | 1060 | 72 |
| | | 160 | ⑥ | 1.65 | 270 | 1220 | 75 |
| | III | 130 | ⑧ | 1.75 | 210 | 700 | 63 |
| | | 130 | ⑨ | 1.70 | 200 | 820 | 66 |
| | IV | 105 | ⑪ | 1.50 | 135 | 530 | 56 |
| | | 105 | ⑫ | 1.45 | 135 | 570 | 58 |

*rated data

Fan ordering information

| Airflow direction A | | | |
|---------------------|---|---|---|
| Design | F (without guard grille) | F (guard grille suction side) | Q (guard grille suction side) |
| |  |  |  |
| Type | FC045-4EF.4C.A7 | FC045-4EF.4C.A7 | FC045-4EQ.4C.A7 |
| Article no. | 132225 | 132227 | 125166 |
| Weight kg | 10.90 | 11.40 | 11.10 |

Control technology

| Frequency inverter Fcontrol 1~ | Motor protection units 1~ | Electronic voltage controllers 1~ |
|--|--|--|
|  |  |  |