

ETA K 1300 H EOJL

165418

- Compact air handling unit with counter flow heat exchanger
- Horizontal connections, version left
- Frameless, double wall housing made of galvanized steel sheet, insulated
- Constant air flow EC fans, integrated controls
- Electric heating, without cooling, panel filter F7/M5
- For indoor and outdoor installation (optional accessories)
- Constructed acc. to VDI 6022



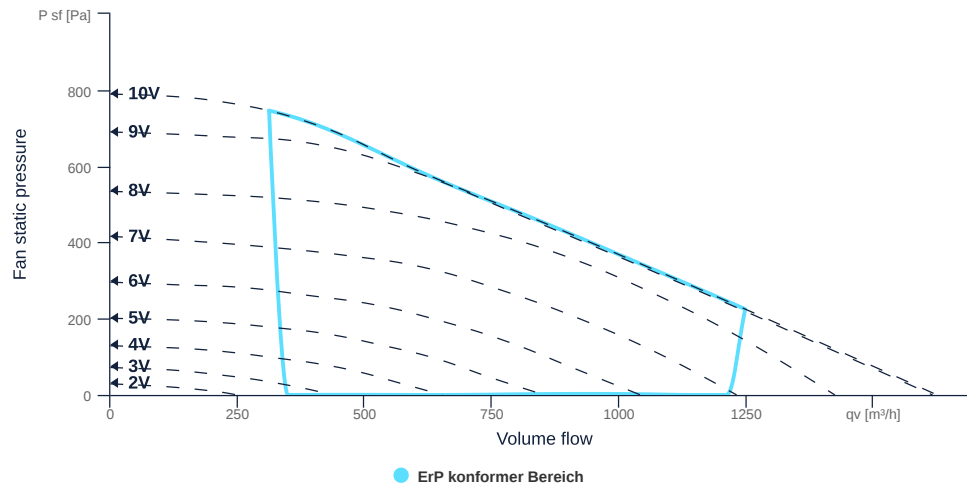
to the product detail page

ETA K 1300 H EOJL

165418

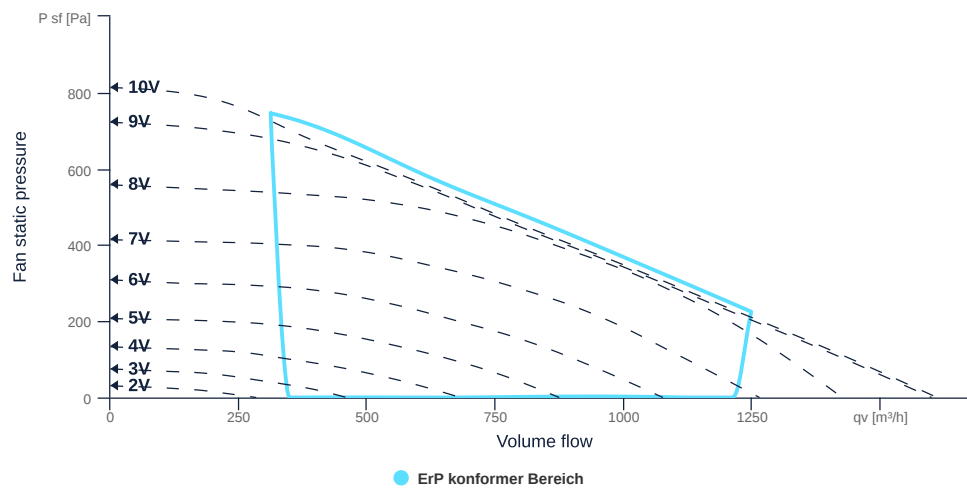
MAP

Name	Value	Unit
Volume flow	0	m³/h
Pressure	0	Pa



EXTRACT AIR MAP

Name	Value	Unit
Volume flow	0	m³/h
Pressure	0	Pa



to the product detail page

ETA K 1300 H EOJL

165418

ruck

GENERAL DATA

Name	Value	Unit	Formula symbol
Labeling	CE, UKCA		
Duct size	500x300		WxH _{duct}
Rated voltage (entire device)	400	V	U _{rated}
Phases (entire device)	3-N		phase
Electrical protection (entire device)	16 A		fuse
Housing material	Galvanized steel		mat _{casing}
IP-protection class (casing)	IP41		IP _{casing}
IP-protection class (entire device)	IP44		IP _{compl}
Weight	230	kg	m
Nominal air flow rate, nominal point m ³ /h	702	m ³ /h	q _{v,nom}
Nominal external pressure, static	338.6	Pa	p _{s,nom}
Connection side supply air	Left		L/R
Type of the ventilation-unit	BVU - supply air		AHU _{type}
Type of heat-recovery-system	recuperative		HRS _{type}
Type of the heater	Electrical		H _{type}
Type of cooler	No		C _{type}
Outdoor installation	Yes, up to -20°C		outdoor
Speed control	variable speed control		VSD _{type}
Filter class extract air	ISO ePM10 50%		F _{class, eta}
Filter class supply air	ISO ePM1 55%		F _{class, sup}

ERP DATA (LOT 6)

Name	Value	Unit	Formula symbol
Energy performance supply air filter	E		
Energy performance extract air filter	E		
Thermal efficiency HRS, Nominal-point	82.2	%	t _{NRVU}
Nominal air flow rate, nominal point m ³ /s	0.2	m ³ /s	q _{v,nom}
Actual electrical input power, nominal point	0.35	kW	P _{e,nom}
Internal specific fan power, nominal point	388.1	Ws/m ³	SFP _{int}
Face velocity, nominal point	0.7	m/s	V _{nom}
Nominal external pressure, static	338.6	Pa	p _{s,nom}
supply air fan static efficiency, nominal point	55.1	%	η _{es,SUP}
static efficiency of the extract fan, nominal point	55.1	%	η _{es,EHA}
Enclosure sound level, nominal point	65	dB(A)	LWA2
Rating	Product is compliant 2018		



to the product detail page

ETA K 1300 H EOJL

165418

ruck

MAXIMAL DATA

Name	Value	Unit	Formula symbol
Max. power consumption (device)	6590	W	$P_{ed, max}$
Max. operating current (device)	13	A	$I_{ed, max}$
Max. speed	2960	1/min	n_{max}
Max. stat. efficiency	37.3	%	η_{es}
Max. fan efficiency	37.4	%	η_e
Max. flowrate	1625	m ³ /h	$q_{v, max}$
Max. stat pressure	790	Pa	$p_{sf, max}$
Max. medium temperature	40	°C	$T_{m, max}$
Max. environment temperature	40	°C	$T_{amb, max}$
Min. environment temperature	-20	°C	$T_{amb, min}$

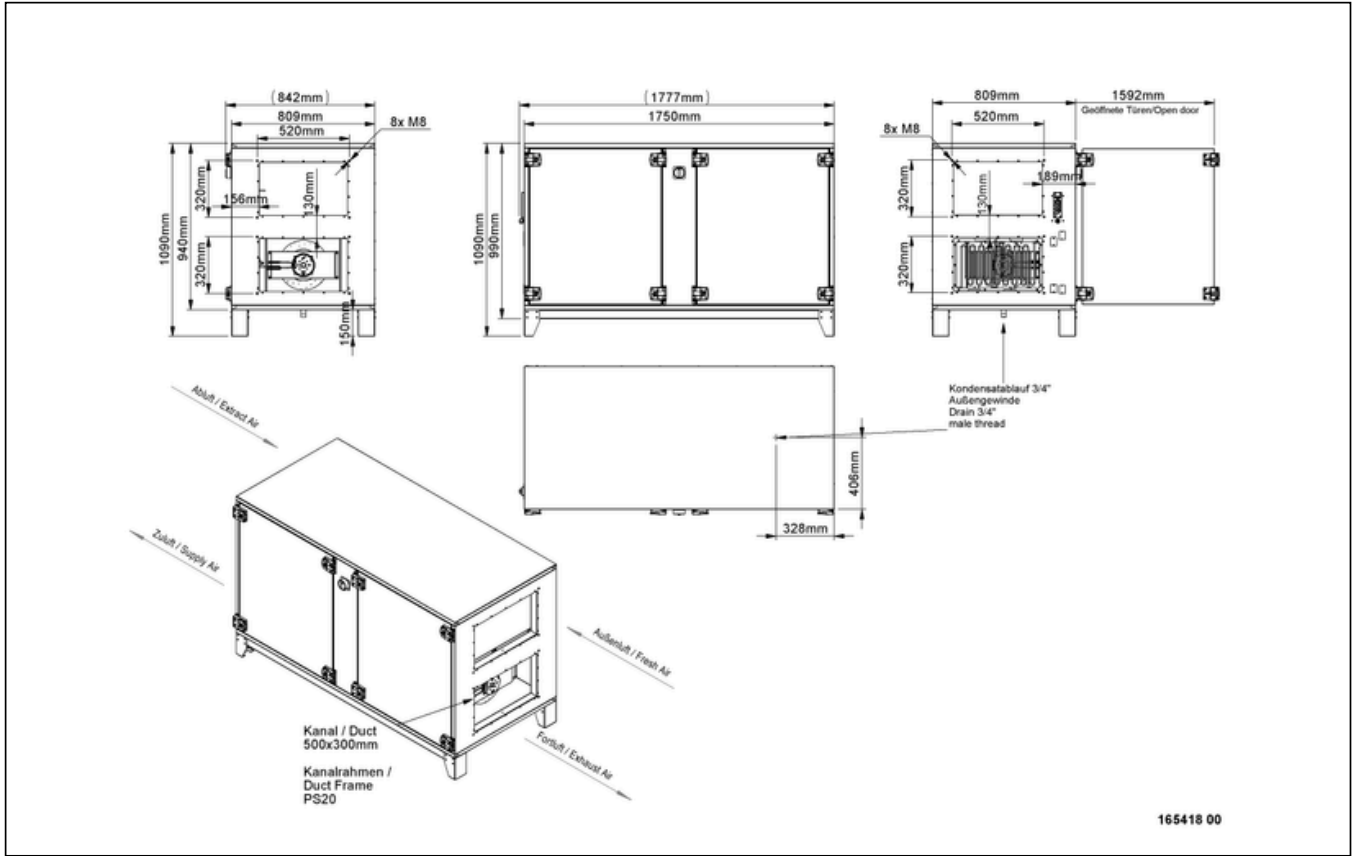
FILTER DATA

Name	Value	Unit	Formula symbol
Degree of separation (supply air)	55	%	
Degree of separation (extract air)	50	%	
Filter group (extract air)	ISO ePM10		
Filter group (supply air)	ISO ePM1		

ETA K 1300 H EOJL

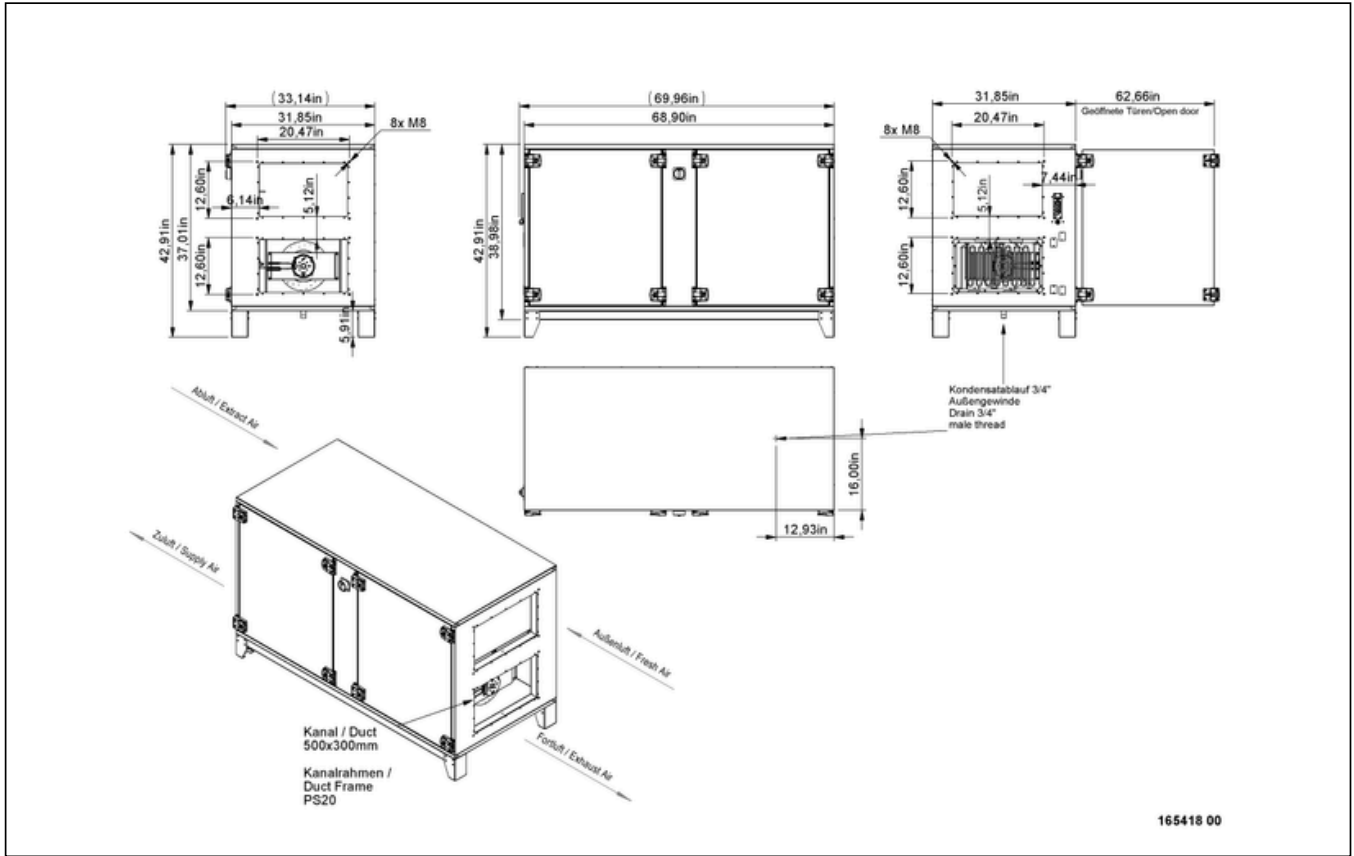
165418

CIRCUIT DIAGRAMS / DIMENSIONAL DRAWINGS



ETA K 1300 H EOJL

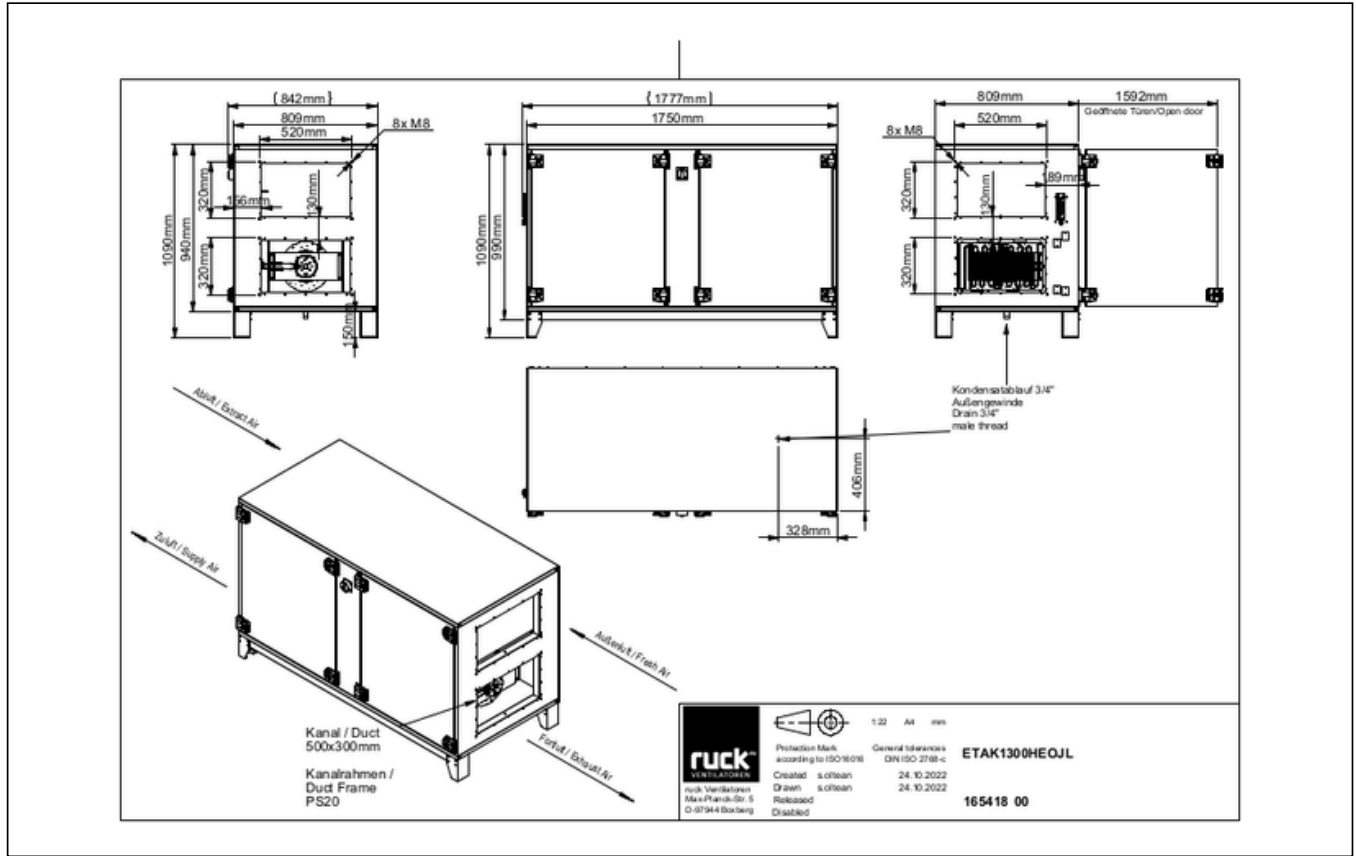
165418



to the product detail page

ETA K 1300 H EOJL

165418



ETA K 1300 H EOJL

165418

