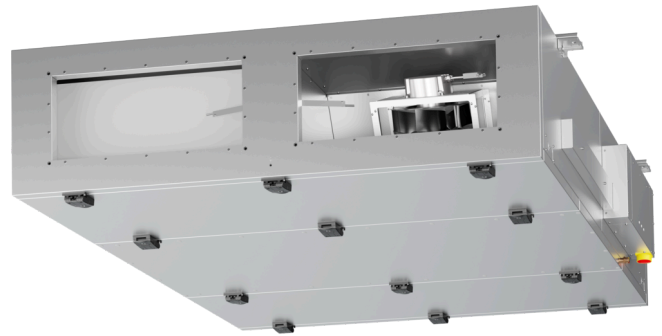


ETA K 2500 F OOJR

163756

- Flat air handling unit with counter flow heat exchanger
- Ceiling mounting, version right
- Frameless, double wall housing made of galvanized steel sheet, insulated
- Constant air flow EC fans, integrated controls
- Automatic summer bypass
- Without heating, without cooling, panel filter F7/M5
- Constructed acc. to VDI 6022



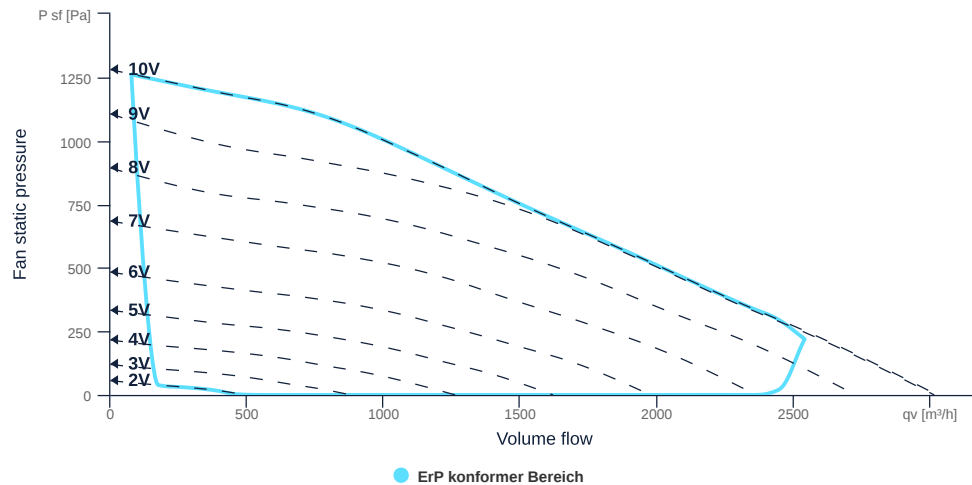
to the product detail page

ETA K 2500 F 00JR

163756

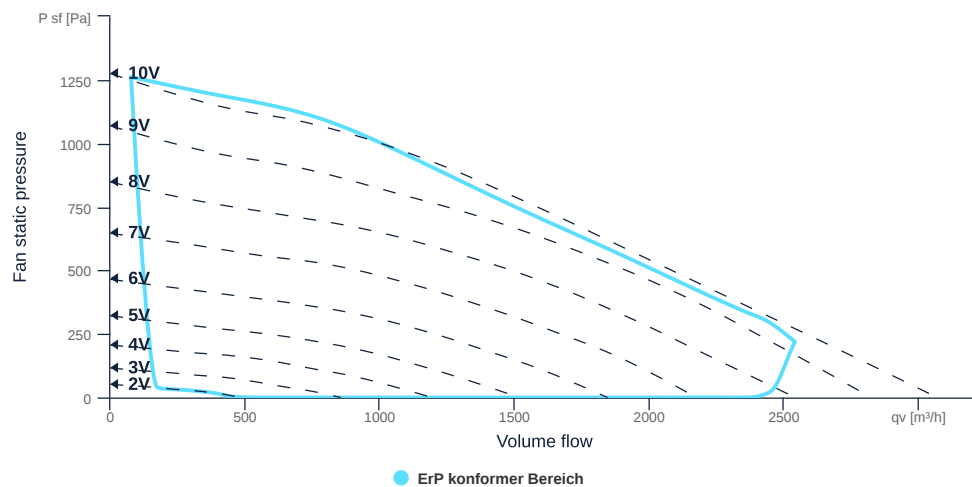
MAP

Name	Value	Unit
Volume flow	0	m³/h
Pressure	0	Pa



EXTRACT AIR MAP

Name	Value	Unit
Volume flow	0	m³/h
Pressure	0	Pa



to the product detail page

ETA K 2500 F OOJR

163756

ruck

GENERAL DATA

Name	Value	Unit	Formula symbol
Labeling	CE, UKCA		
Duct size	700x300		WxH _{duct}
Rated voltage (entire device)	230	V	U _{rated}
Phases (entire device)	1~		phase
Electrical protection (entire device)	10 A		fuse
Housing material	Galvanized steel		mat _{casing}
IP-protection class (casing)	IP41		IP _{casing}
IP-protection class (entire device)	IP41		IP _{compl}
Weight	355	kg	m
Nominal air flow rate, nominal point m ³ /h	1562.4	m ³ /h	q _{v,nom}
Nominal external pressure, static	652.3	Pa	p _{s,nom}
Connection side supply air	Right		L/R
Type of the ventilation-unit	BVU - supply air		AHU _{type}
Type of heat-recovery-system	recuperative		HRS _{type}
Type of the heater	No		H _{type}
Type of cooler	No		C _{type}
Outdoor installation	No		outdoor
Speed control	variable speed control		VSD _{type}
Filter class extract air	ISO ePM10 50%		F _{class, eta}
Filter class supply air	ISO ePM1 55%		F _{class, sup}

ERP DATA (LOT 6)

Name	Value	Unit	Formula symbol
Energy performance supply air filter	E		
Energy performance extract air filter	E		
Thermal efficiency HRS, Nominal-point	82.4	%	tNRVU
Nominal air flow rate, nominal point m ³ /s	0.43	m ³ /s	q _{v,nom}
Actual electrical input power, nominal point	1.21	kW	P _{e,nom}
Internal specific fan power, nominal point	667.8	Ws/m ³	SFP _{int}
Face velocity, nominal point	1.1	m/s	V _{nom}
Nominal external pressure, static	652.3	Pa	p _{s,nom}
supply air fan static efficiency, nominal point	65.8	%	η _{es,SUP}
static efficiency of the extract fan, nominal point	65.8	%	η _{es,EHA}
Highest external air leakage rate	0.61	%	
Highest internal air leakage rate	7.42	%	
Enclosure sound level, nominal point	64	dB(A)	LWA2
Rating	Product is compliant 2018		



to the product detail page

ETA K 2500 F OOJR

163756

ruck

MAXIMAL DATA

Name	Value	Unit	Formula symbol
Max. power consumption (device)	1600	W	$P_{ed, max}$
Max. operating current (device)	7	A	$I_{ed, max}$
Max. speed	3400	1/min	n_{max}
Max. stat. efficiency	41.4	%	η_{es}
Max. fan efficiency	41.6	%	η_e
Max. flowrate	3030	m ³ /h	$q_{v, max}$
Max. stat pressure	1280	Pa	$p_{sf, max}$
Max. medium temperature	40	°C	$T_{m, max}$
Max. environment temperature	40	°C	$T_{amb, max}$
Min. environment temperature	-20	°C	$T_{amb, min}$

FILTER DATA

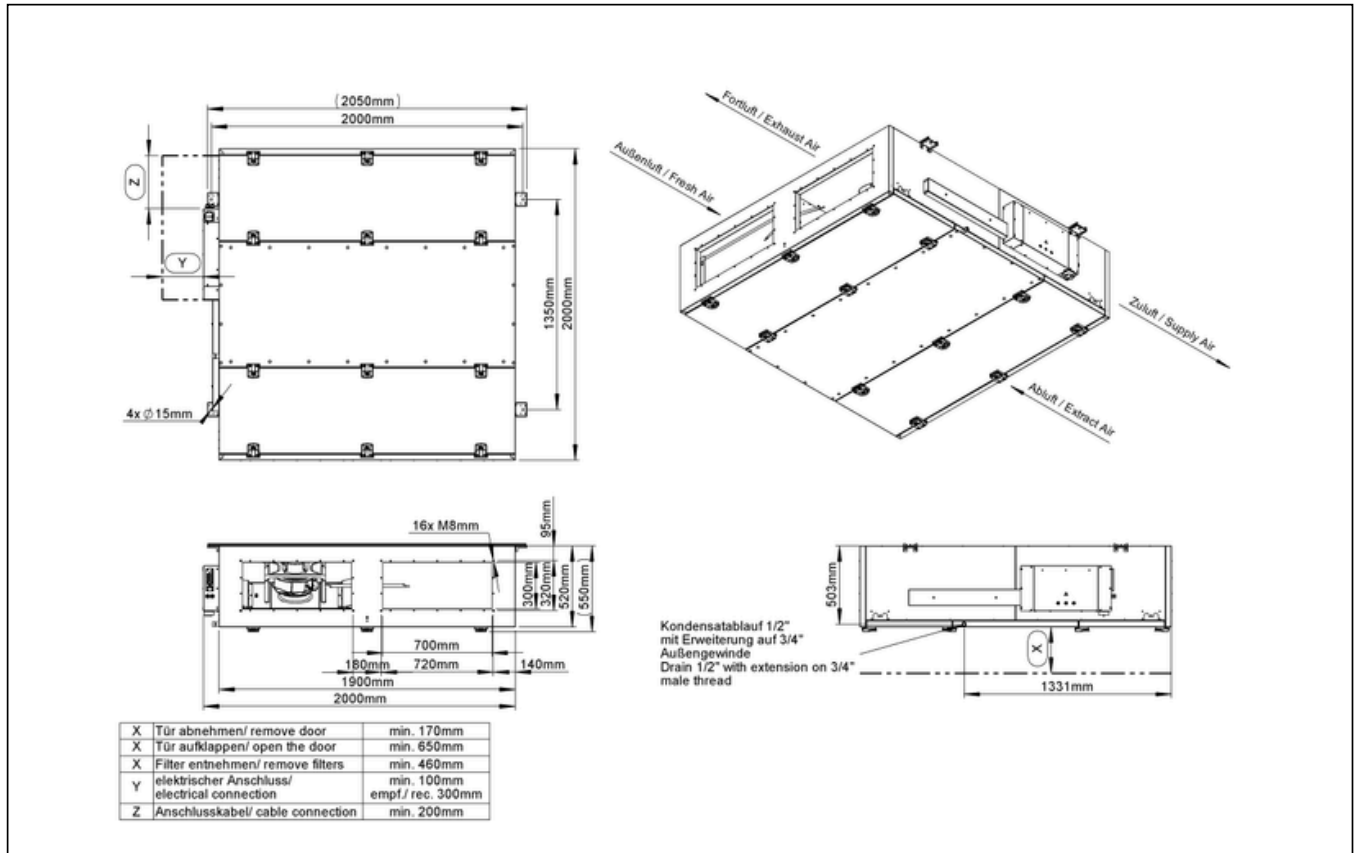
Name	Value	Unit	Formula symbol
Degree of separation (supply air)	55	%	
Degree of separation (extract air)	50	%	
Filter group (extract air)	ISO ePM10		
Filter group (supply air)	ISO ePM1		



ETA K 2500 F OOJR

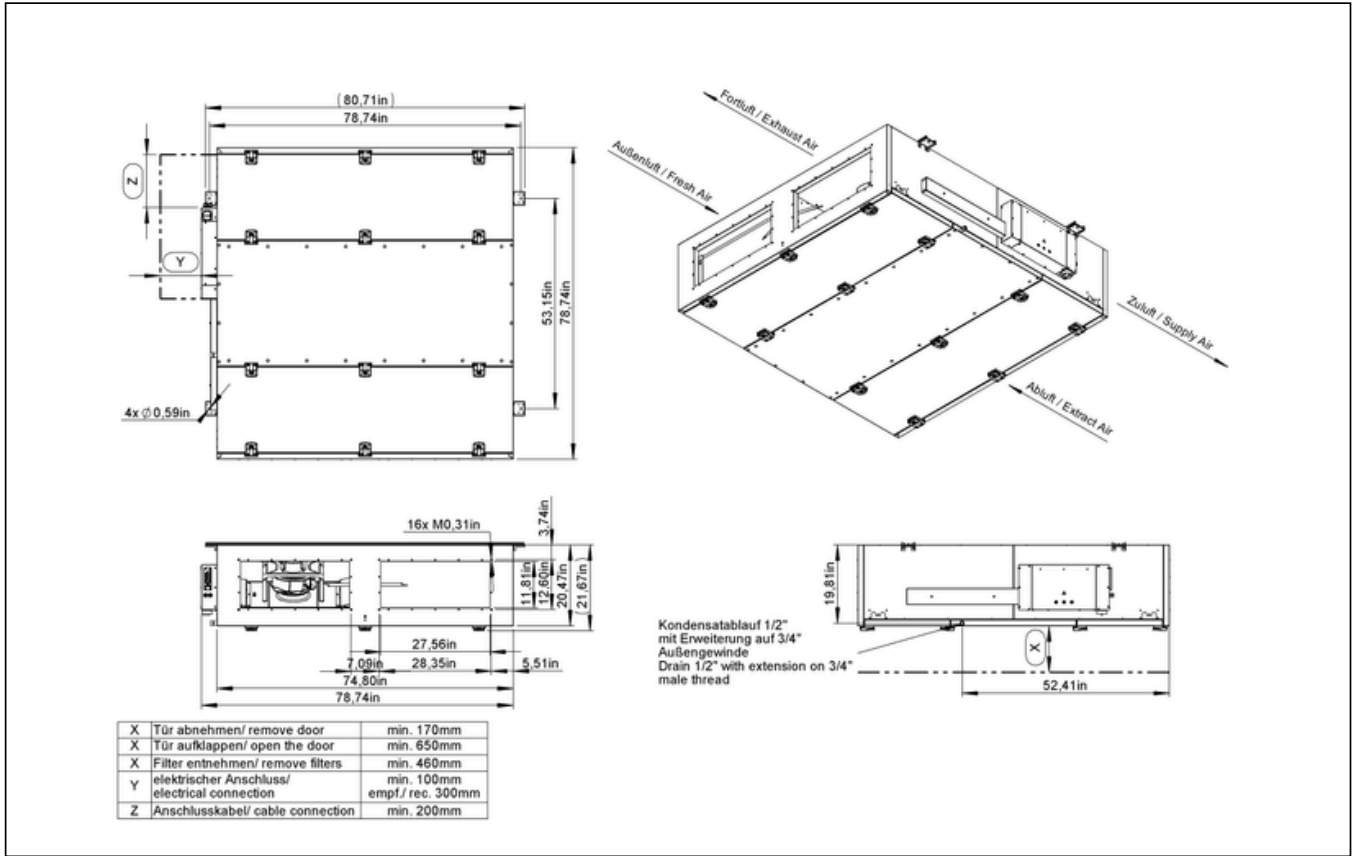
163756

CIRCUIT DIAGRAMS / DIMENSIONAL DRAWINGS



ETA K 2500 F OOJR

163756



to the product detail page

ETA K 2500 F OOJR

163756

X	Tür abnehmen/ remove door	min. 170mm
X	Tür aufklappen/ open the door	min. 650mm
X	Filter entnehmen/ remove filters	min. 460mm
Y	elektrischer Anschluss/ electrical connection	min. 100mm empf./ rec. 300mm
Z	Anschlusskabel/ cable connection	min. 200mm

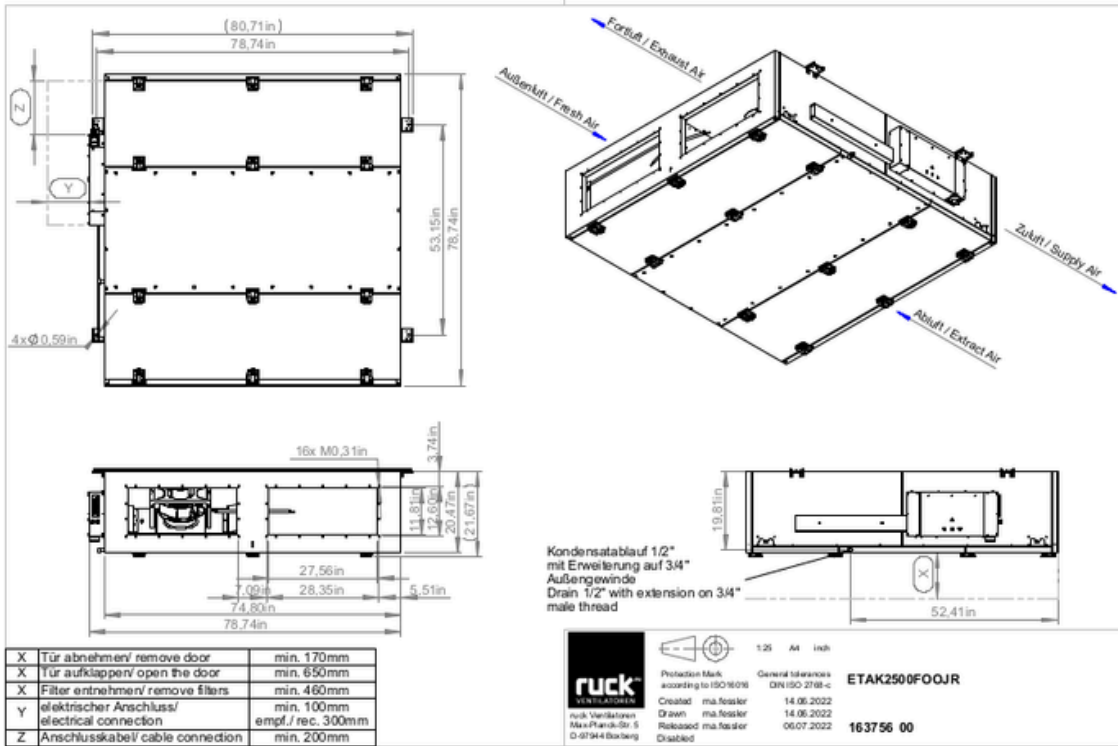
	Protection Mark according to ISO 9006	General tolerances DIN ISO 2768-c	ETA K2500 FOOJR
	Created: ma.fessler	14.06.2022	
ruck Ventilatoren Max-Planck-Str. 5 D-97944 Boxberg	Drawn: ma.fessler	14.06.2022	
	Released: ma.fessler	06.07.2022	163756 00
	Disabled:		



to the product detail page

ETA K 2500 F OOJR

163756



to the product detail page