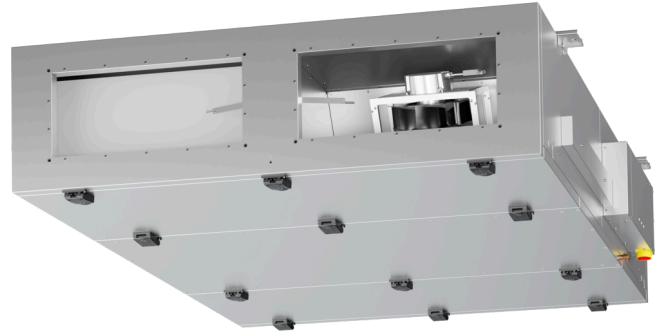


ETA K 3500 F OOJL

171792

- Flat air handling unit with counter flow heat exchanger
- Ceiling mounting, version left
- Frameless, double wall housing made of galvanized steel sheet, insulated
- Constant air flow EC fans, integrated controls
- Automatic summer bypass
- Without heating, without cooling, panel filter F7/M5
- Constructed acc. to VDI 6022

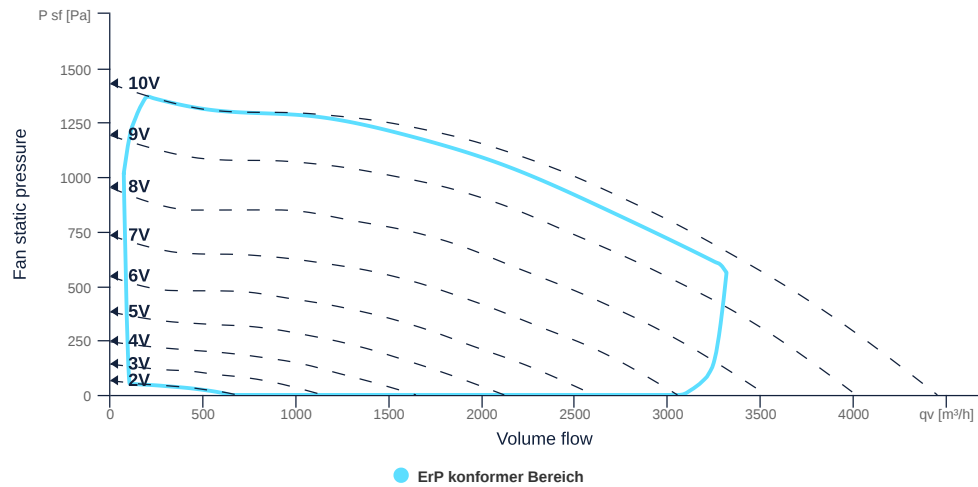


ETA K 3500 F OOJL

171792

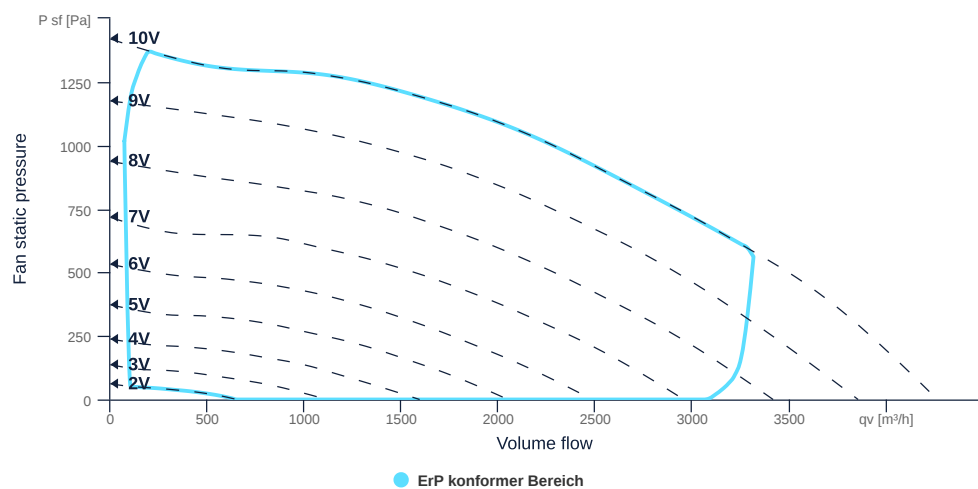
MAP

Name	Value	Unit
Volume flow	0	m³/h
Pressure	0	Pa



EXTRACT AIR MAP

Name	Value	Unit
Volume flow	0	m³/h
Pressure	0	Pa



to the product detail page

ETA K 3500 F OOJL

171792

ruck

GENERAL DATA

Name	Value	Unit	Formula symbol
Labeling	CE, UKCA		
Duct size	700x400		WxH _{duct}
Rated voltage (entire device)	400	V	U _{rated}
Phases (entire device)	3-N		phase
Electrical protection (entire device)	6 A		fuse
Housing material	Galvanized steel		mat _{casing}
IP-protection class (casing)	IP41		IP _{casing}
IP-protection class (entire device)	IP41		IP _{compl}
IP-Protection class (terminal box)	IP44		IP _{ebox}
Weight	402	kg	m
Nominal air flow rate, nominal point m ³ /h	2930.4	m ³ /h	q _{vnom}
Nominal external pressure, static	200	Pa	p _{s,nom}
Connection side supply air	Left		L/R
Type of the ventilation-unit	BVU - supply air		AHU _{type}
Type of heat-recovery-system	recuperative		HRS _{type}
Type of the heater	No		H _{type}
Type of cooler	No		C _{type}
Outdoor installation	No		outdoor
Leak class	L2		L _{class}
Speed control	variable speed control		VSD _{type}
Filter class extract air	ISO ePM10 50%		F _{class, eta}
Filter class supply air	ISO ePM1 55%		F _{class, sup}
Mechanical stability class	D2		D _{class}



ETA K 3500 F OOJL

171792

ruck

ERP DATA (LOT 6)

Name	Value	Unit	Formula symbol
Energy performance supply air filter		E	
Energy performance extract air filter		E	
Thermal efficiency HRS, Nominal-point	84.83	%	tNRVU
Nominal air flow rate, nominal point m ³ /s	0.81	m ³ /s	q _{v,nom}
Actual electrical input power, nominal point	1.45	kW	P _{e,nom}
Internal specific fan power, nominal point	1081.95	Ws/m ³	SFP _{int}
Face velocity, nominal point	3.18	m/s	V _{nom}
Nominal external pressure, static	200	Pa	p _{s,nom}
supply air fan static efficiency, nominal point	54.67	%	η _{es,SUP}
static efficiency of the extract fan, nominal point	61.07	%	η _{es,EHA}
Highest external air leakage rate	0.67	%	
Enclosure sound level, nominal point	66.76	dB(A)	LWA2
Rating	Product is compliant 2018		
Internal pressure drop of ventilation components supply air, nominal point	282.54	Pa	dp _{vent,nom,int,SUP}
Internal pressure drop of ventilation components extract air, nominal point	345.17	Pa	dp _{vent,nom,int,EHA}

MAXIMAL DATA

Name	Value	Unit	Formula symbol
Max. power consumption (device)	3000	W	P _{ed,max}
Max. operating current (device)	4.7	A	I _{ed,max}
Max. speed	3800	1/min	n _{max}
Max. stat. efficiency	43.6	%	η _{es}
Max. fan efficiency	43.8	%	η _e
Max. flowrate	4450	m ³ /h	q _{v,max}
Max. stat pressure	1430	Pa	p _{sf,max}
Max. medium temperature	40	°C	T _{m,max}
Max. environment temperature	40	°C	T _{amb,max}
Min. environment temperature	-20	°C	T _{amb,min}

FILTER DATA

Name	Value	Unit	Formula symbol
Degree of separation (supply air)	55	%	
Degree of separation (extract air)	50	%	
Filter group (extract air)	ISO ePM10		
Fitter group (supply air)	ISO ePM1		

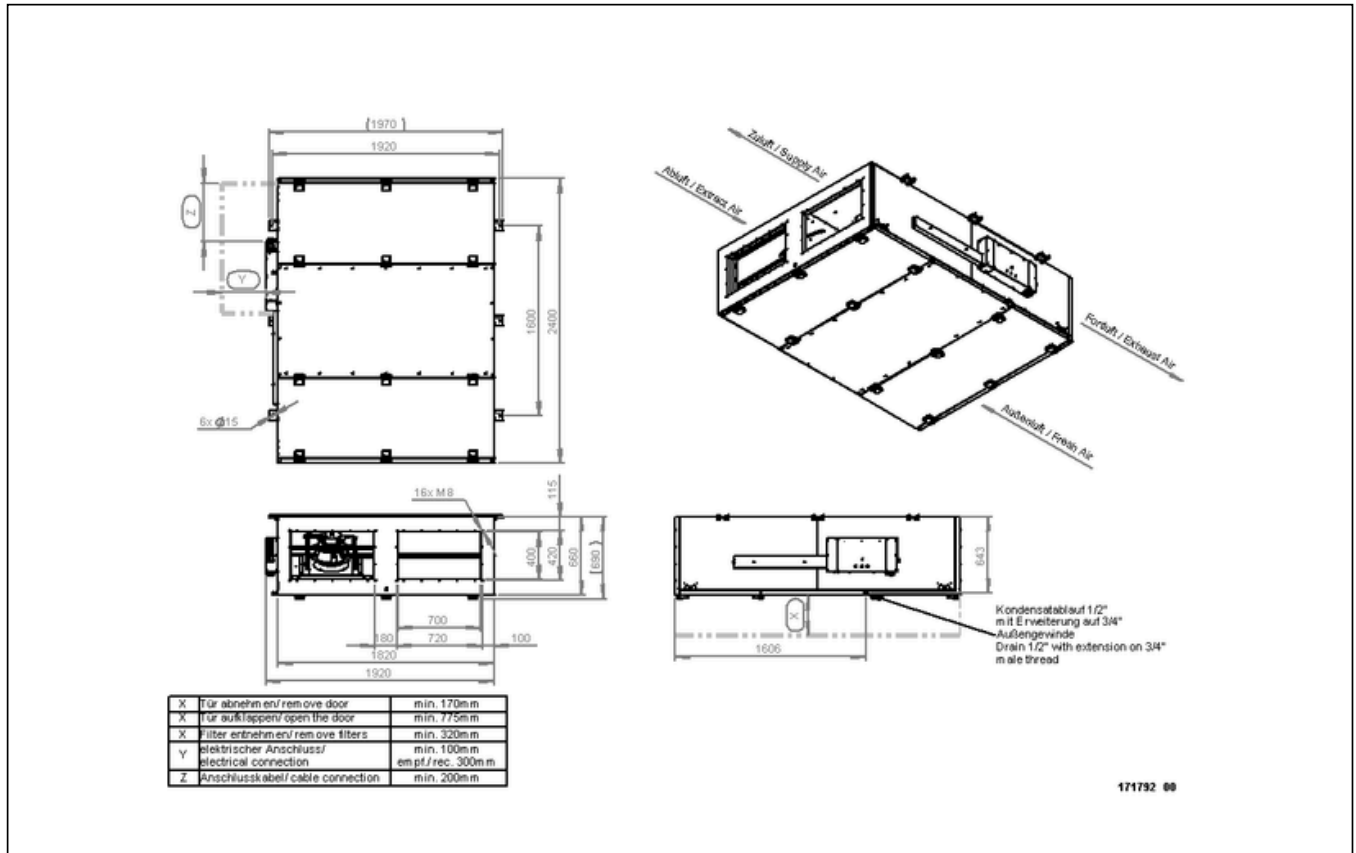


to the product detail page

ETA K 3500 F OOJL

171792

CIRCUIT DIAGRAMS / DIMENSIONAL DRAWINGS



171792 00



ETA K 3500 F OOJL

171792

Z 6x Ø 0.59in

(77.56in)
75.59in

62.99in
94.49in

16x M0.31in

4.53in

14.75in
16.54in
25.98in
(27.16in)

7.09in 27.56in 28.35in 3.94in
71.65in 75.59in

Zuluft / Supply Air
Abluft / Exhaust Air
Außenluft / Fresh Air
Fortluft / Exhaust Air

Kondensatablauf 1/2" mit Erweiterung auf 3/4" Außengewinde
Drain 1/2" with extension on 3/4" male thread

X	Tür abnehmen/ remove door	min. 170mm
X	Tür aufklappen/ open the door	min. 775mm
X	Filter entnehmen/ remove filters	min. 320mm
Y	elektrischer Anschluss/ electrical connection	min. 100mm empf./ rec. 300mm
Z	Anschlusskabel/ cable connection	min. 200mm

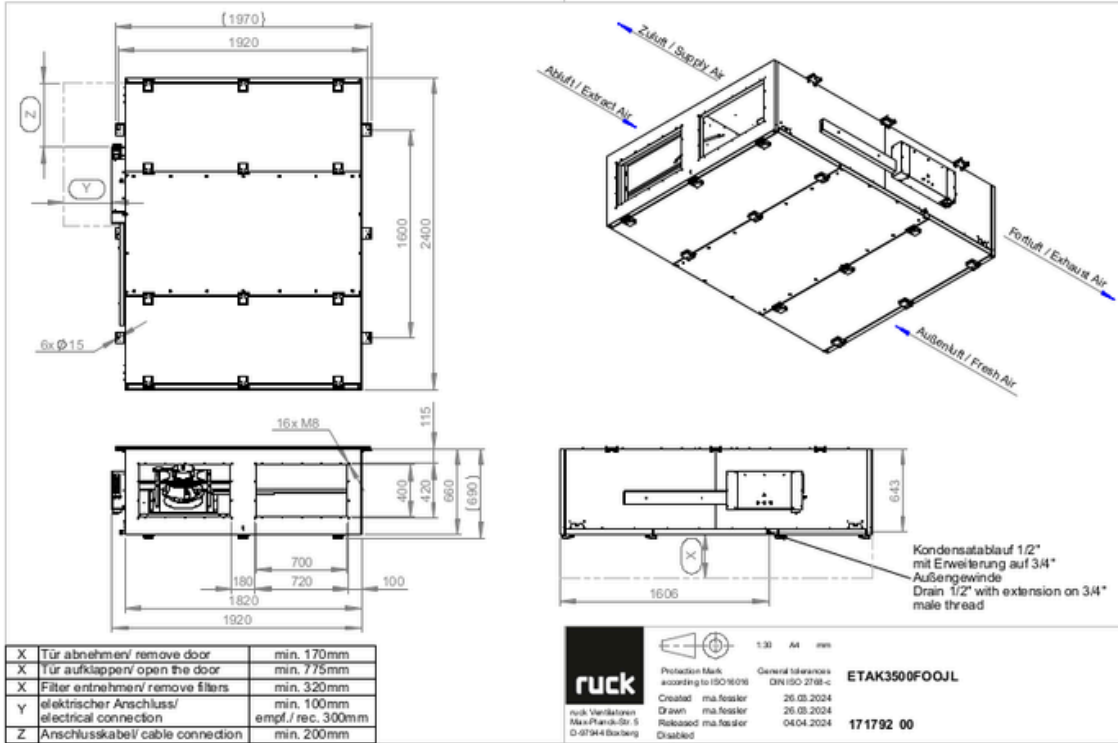
ruck Protection Mark according to ISO 16798
Created: ma.fessler
Drawn: ma.fessler
Released: ma.fessler
Disabled

1:30 A4 inch
General tolerances DIN ISO 2768-c
ETAK3500FOOJL
26.03.2024
26.03.2024
04.04.2024
171792 00



ETA K 3500 F OOJL

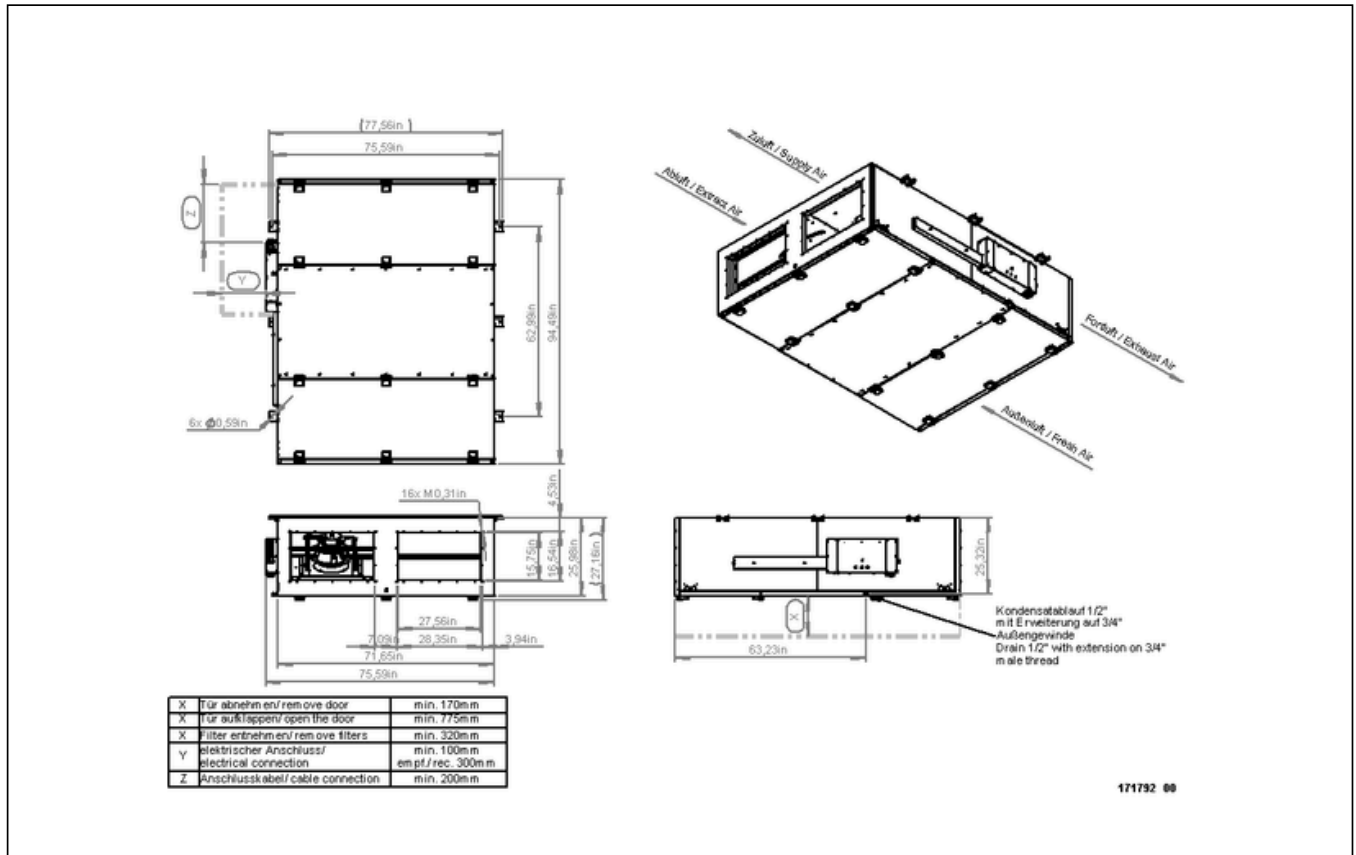
171792



to the product detail page

ETA K 3500 F OOJL

171792



X	Tür abnehmen / remove door	min. 170mm
X	Tür aufklappen / open the door	min. 175mm
X	Filter entnehmen / remove filters	min. 320mm
Y	elektrischer Anschluss / electrical connection	empf./rec. 300mm
Z	Anschlusskabel / cable connection	min. 200mm

171792 00

