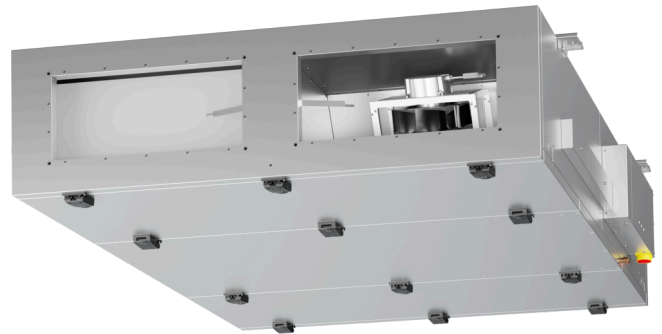


ETA K 2800 F WOJR

171596

- Flat air handling unit with counter flow heat exchanger
- Ceiling mounting, version right
- Frameless, double wall housing made of galvanized steel sheet, insulated
- Automatic summer bypass
- PWW heating, without cooling, panel filter F7/M5
- Constructed acc. to VDI 6022
- Attention: Please note the calculated cooling/heating capacity and the displayed volume of the DX coils



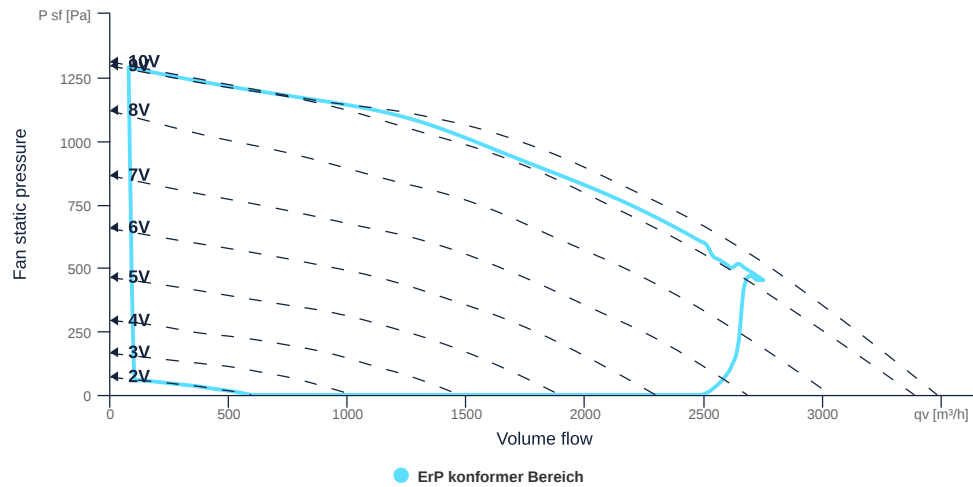
to the product detail page

ETA K 2800 F WOJR

171596

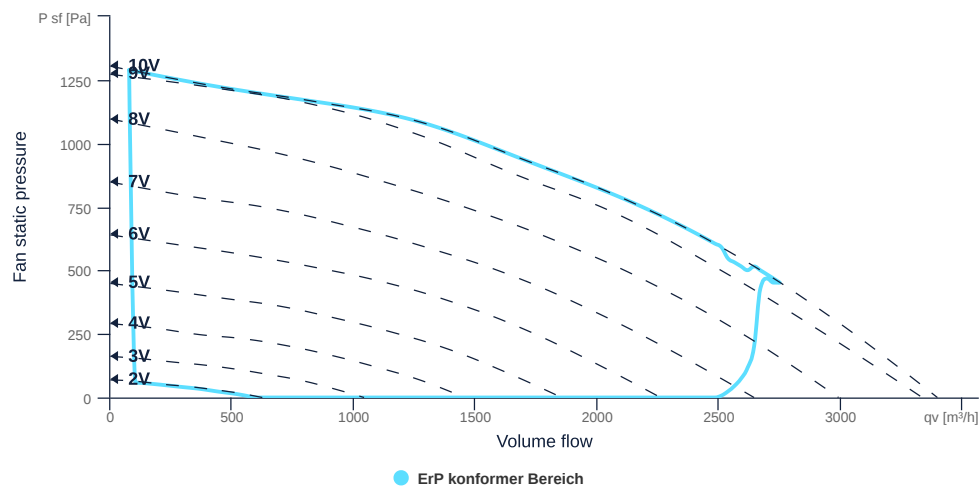
MAP

Name	Value	Unit
Volume flow	0	m³/h
Pressure	0	Pa



EXTRACT AIR MAP

Name	Value	Unit
Volume flow	0	m³/h
Pressure	0	Pa



to the product detail page

ETA K 2800 F WOJR

171596

ruck

GENERAL DATA

Name	Value	Unit	Formula symbol
Labeling	CE, UKCA		
Duct size	700x300		WxH _{duct}
Rated voltage (entire device)	400	V	U _{rated}
Phases (entire device)	3-N		phase
Electrical protection (entire device)	6 A		fuse
Housing material	Galvanized steel		mat _{casing}
IP-protection class (casing)	IP41		IP _{casing}
IP-protection class (entire device)	IP41		IP _{compl}
IP-Protection class (terminal box)	IP44		IP _{ebox}
Nominal air flow rate, nominal point m ³ /h	2379.6	m ³ /h	q _{v,nom}
Nominal external pressure, static	200	Pa	p _{s,nom}
Connection side supply air	Right		L/R
Type of the ventilation-unit	BVU - supply air		AHU _{type}
Type of heat-recovery-system	recuperative		HRS _{type}
Type of the heater	Hot water		H _{type}
Type of cooler	No		C _{type}
Outdoor installation	No		outdoor
Speed control	variable speed control		VSD _{type}
Filter class extract air	ISO ePM10 50%		F _{class, eta}
Filter class supply air	ISO ePM1 55%		F _{class, sup}

ERP DATA (LOT 6)

Name	Value	Unit	Formula symbol
Energy performance supply air filter		E	
Energy performance extract air filter		E	
Thermal efficiency HRS, Nominal-point	80.19	%	t _{NRVU}
Nominal air flow rate, nominal point m ³ /s	0.66	m ³ /s	q _{v,nom}
Actual electrical input power, nominal point	1.16	kW	P _{e,nom}
Internal specific fan power, nominal point	1005.78	Ws/m ³	SFP _{int}
Face velocity, nominal point	1.74	m/s	v _{nom}
Nominal external pressure, static	200	Pa	p _{s,nom}
supply air fan static efficiency, nominal point	54.34	%	η _{es,SUP}
static efficiency of the extract fan, nominal point	59.44	%	η _{es,EHA}
Enclosure sound level, nominal point	60.63	dB(A)	LWA ₂
Rating	Product is compliant 2018		
Internal pressure drop of ventilation components supply air, nominal point	257.38	Pa	dp _{vent,nom,int,SUP}
Internal pressure drop of ventilation components extract air, nominal point	316.35	Pa	dp _{vent,nom,int,EHA}



to the product detail page

ETA K 2800 F WOJR

171596

ruck

MAXIMAL DATA

Name	Value	Unit	Formula symbol
Max. power consumption (device)	2250	W	$P_{ed, max}$
Max. operating current (device)	3.5	A	$I_{ed, max}$
Max. speed	3480	1/min	n_{max}
Max. stat. efficiency	42.6	%	η_{es}
Max. fan efficiency	42.7	%	η_e
Max. flowrate	3480	m ³ /h	$q_{v, max}$
Max. stat pressure	1310	Pa	$p_{sf, max}$
Max. medium temperature	40	°C	$T_{m, max}$
Max. environment temperature	40	°C	$T_{amb, max}$
Min. environment temperature	-20	°C	$T_{amb, min}$

FILTER DATA

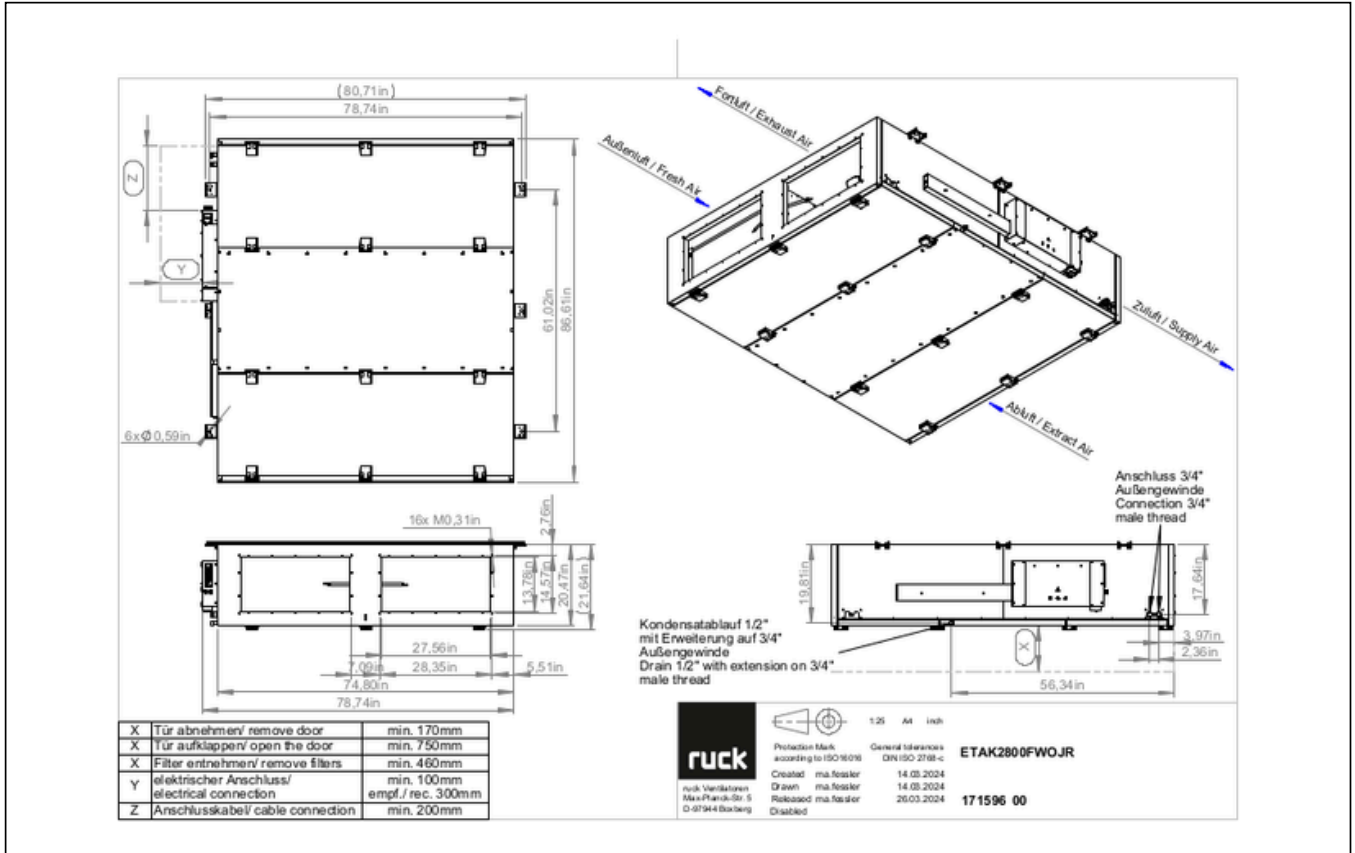
Name	Value	Unit	Formula symbol
Degree of separation (supply air)	55	%	
Degree of separation (extract air)	50	%	
Filter group (extract air)	ISO ePM10		
Filter group (supply air)	ISO ePM1		



ETA K 2800 F WOJR

171596

CIRCUIT DIAGRAMS / DIMENSIONAL DRAWINGS



to the product detail page

ETA K 2800 F WOJR

171596

X	Tür abnehmen/ remove door	min. 170mm
X	Tür aufklappen/ open the door	min. 750mm
X	Filter entnehmen/ remove filters	min. 460mm
Y	elektrischer Anschluss/ electrical connection	min. 100mm empf./ rec. 300mm
Z	Anschlusskabel/ cable connection	min. 200mm

ruck
ruck Ventilatoren
Max-Planck-Str. 5
D-97944 Boxberg

Protection Mark according to ISO 9006
Created: ma.fessler
Drawn: ma.fessler
Released: ma.fessler
Disabled

1:25 A4 mm
General tolerances DIN ISO 2768-c

ETAK2800FWOJR
14.03.2024
14.03.2024
26.03.2024

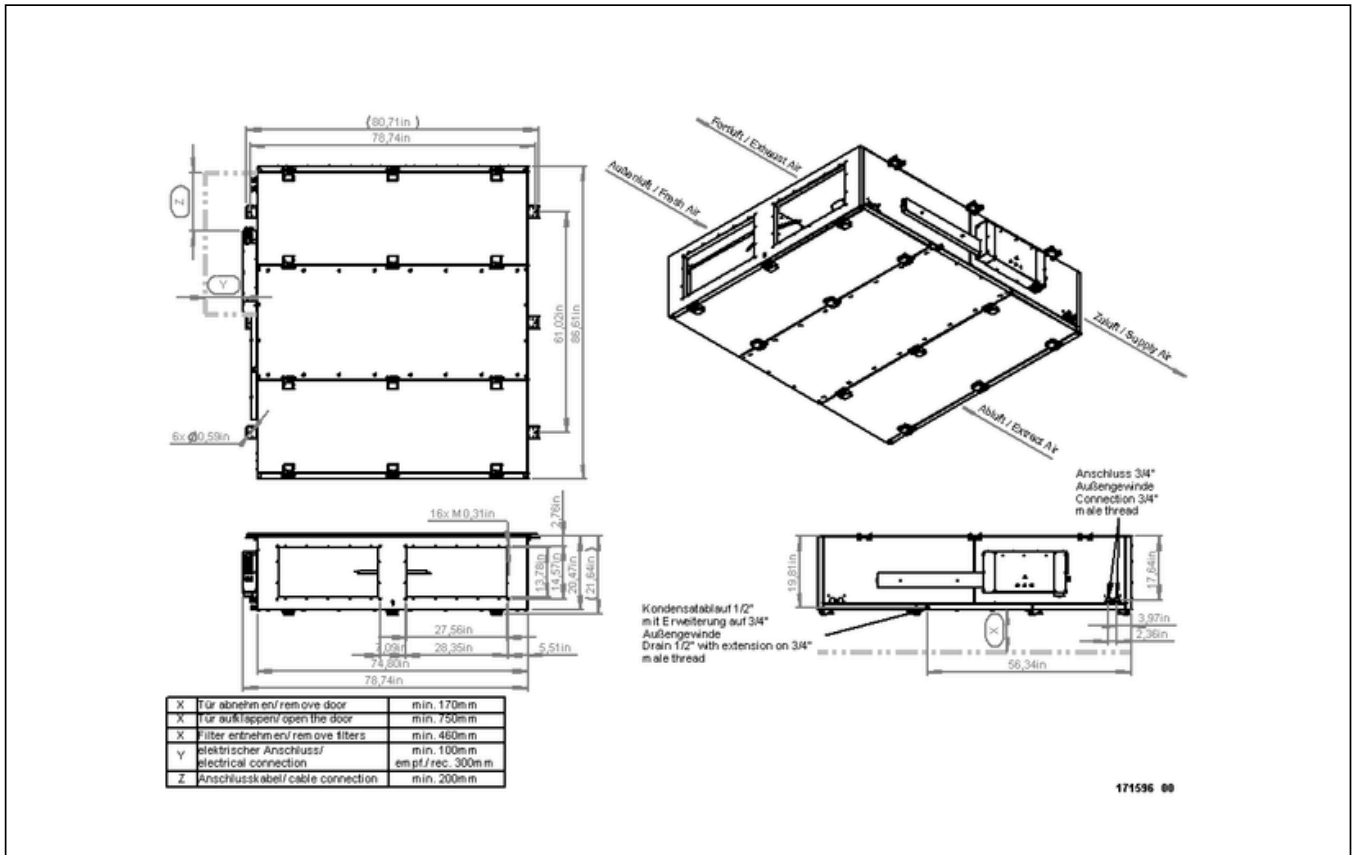
171596 00



to the product detail page

ETA K 2800 F WOJR

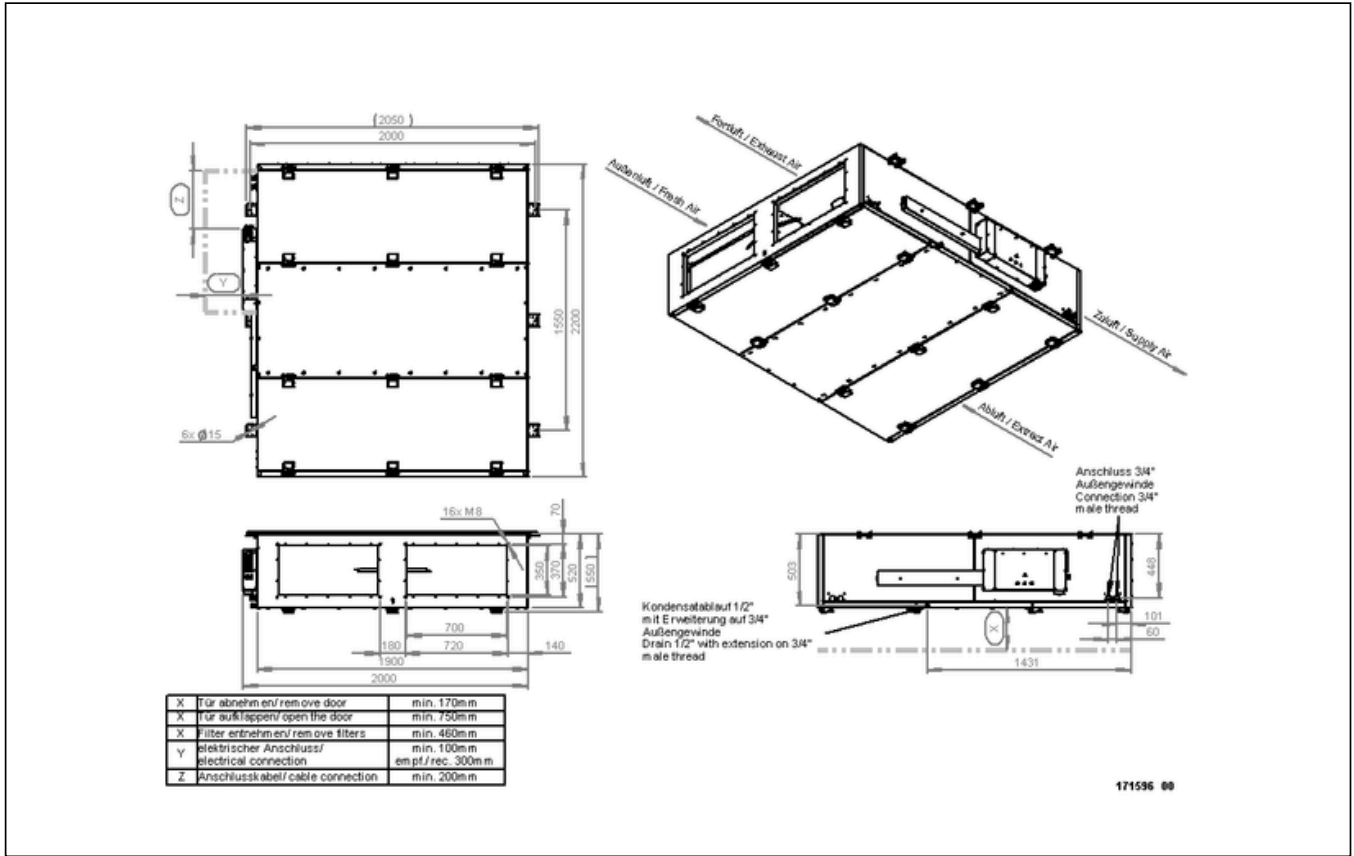
171596



to the product detail page

ETA K 2800 F WOJR

171596



171596 00

