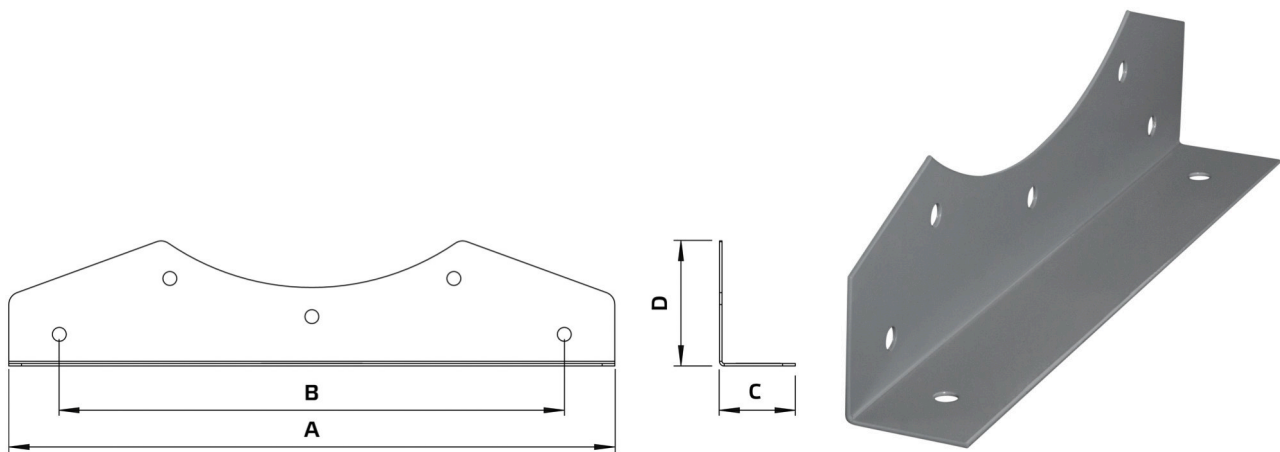


Datasheet

Product type: **Mounting foot**
Product ID: 154806
Product name: FAL 355



A	mm	420
B	mm	355
C	mm	60
D	mm	98.6
Weight	kg	0.9

- Mounting foot for Axialine
- Sheet steel, powder-coated
- Suitable for outdoor installation

Use:

- AL 355 D4 01
- AL 355 D2 01
- AL 355 EC 01
- AL 355 D4 F4 01
- AL 355 D2 F4 01