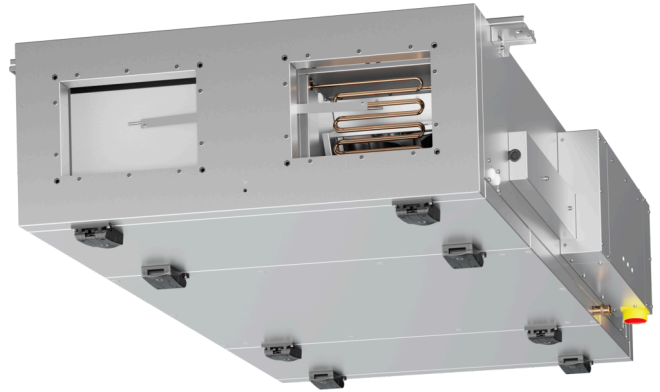


ETA K 700 F OOJR

163295

- Flat air handling unit with counter flow heat exchanger
- Ceiling mounting, version right
- Frameless, double wall housing made of galvanized steel sheet, insulated
- Constant air flow EC fans, integrated controls
- Automatic summer bypass
- Without heating, without cooling, panel filter F7/M5
- Constructed acc. to VDI 6022



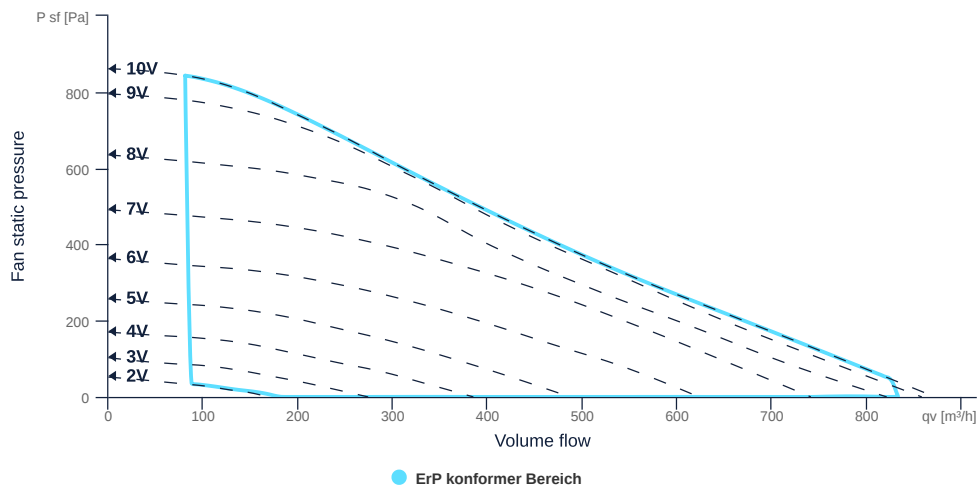
to the product detail page

ETA K 700 F OOJR

163295

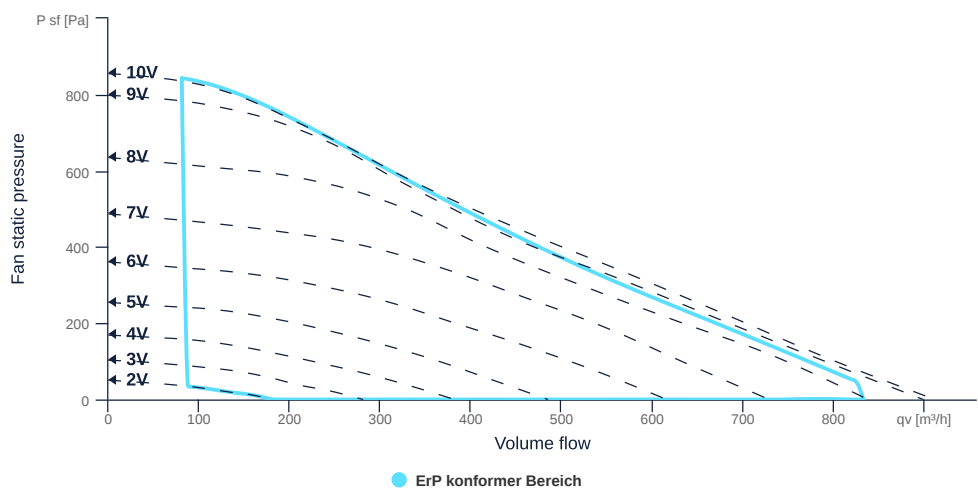
MAP

Name	Value	Unit
Volume flow	0	m³/h
Pressure	0	Pa



EXTRACT AIR MAP

Name	Value	Unit
Volume flow	0	m³/h
Pressure	0	Pa



to the product detail page

GENERAL DATA

Name	Value	Unit	Formula symbol
Labeling	CE, UKCA		
Duct size	300x200		WxH _{duct}
Rated voltage (entire device)	230	V	U _{rated}
Phases (entire device)	1~		phase
Electrical protection (entire device)	6 A		fuse
Housing material	Galvanized steel		mat _{casing}
IP-protection class (casing)	IP41		IP _{casing}
Weight	138	kg	m
Nominal air flow rate, nominal point m ³ /h	604.8	m ³ /h	q _{v,nom}
Nominal external pressure, static	200	Pa	p _{s,nom}
Connection side supply air	Right		L/R
Type of the ventilation-unit	BVU - supply air		AHU _{type}
Type of heat-recovery-system	recuperative		HRS _{type}
Type of the heater	No		H _{type}
Type of cooler	No		C _{type}
Outdoor installation	No		outdoor
Leak class	L2		L _{class}
Speed control	variable speed control		VSD _{type}
Filter class extract air	ISO ePM10 50%		F _{class, eta}
Filter class supply air	ISO ePM1 55%		F _{class, sup}
Mechanical stability class	D2		D _{class}

ERP DATA (LOT 6)

Name	Value	Unit	Formula symbol
Energy performance supply air filter		E	
Energy performance extract air filter		E	
Thermal efficiency HRS, Nominal-point	81.59	%	t _{NRVU}
Nominal air flow rate, nominal point m ³ /s	0.17	m ³ /s	q _{v,nom}
Actual electrical input power, nominal point	0.28	kW	P _{e,nom}
Internal specific fan power, nominal point	906.87	Ws/m ³	SFP _{int}
Face velocity, nominal point	1.19	m/s	v _{nom}
Nominal external pressure, static	200	Pa	p _{s,nom}
supply air fan static efficiency, nominal point	52.75	%	η _{es,SUP}
static efficiency of the extract fan, nominal point	49.78	%	η _{es,EHA}
Highest external air leakage rate	1.82	%	
Enclosure sound level, nominal point	55.9	dB(A)	LWA2
Rating	Product is compliant 2018		
Internal pressure drop of ventilation components supply air, nominal point	258.75	Pa	dp _{vent,nom,int,SUP}
Internal pressure drop of ventilation components extract air, nominal point	207.28	Pa	dp _{vent,nom,int,EHA}



to the product detail page

ETA K 700 F OOJR

163295

ruck

MAXIMAL DATA

Name	Value	Unit	Formula symbol
Max. power consumption (device)	370	W	$P_{ed, max}$
Max. operating current (device)	3.2	A	$I_{ed, max}$
Max. speed	3820	1/min	n_{max}
Max. stat. efficiency	30.5	%	η_{es}
Max. fan efficiency	30.6	%	η_e
Max. flowrate	870	m ³ /h	$q_{v, max}$
Max. stat pressure	860	Pa	$p_{sf, max}$
Max. medium temperature	40	°C	$T_{m, max}$
Max. environment temperature	40	°C	$T_{amb, max}$
Min. environment temperature	-20	°C	$T_{amb, min}$

FILTER DATA

Name	Value	Unit	Formula symbol
Degree of separation (supply air)	55	%	
Degree of separation (extract air)	50	%	
Filter group (extract air)	ISO ePM10		
Filter group (supply air)	ISO ePM1		

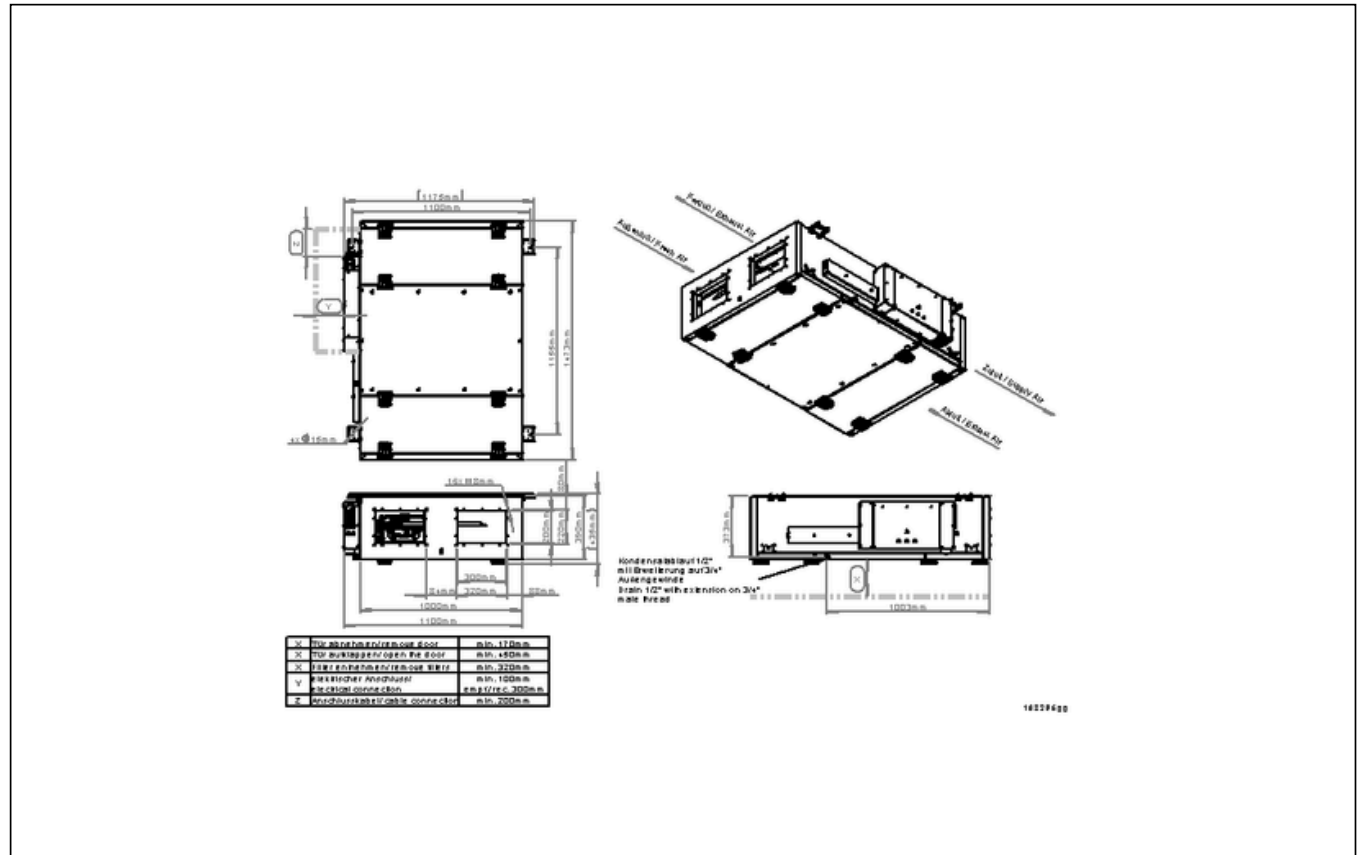
to the product detail page



ETA K 700 F OOJR

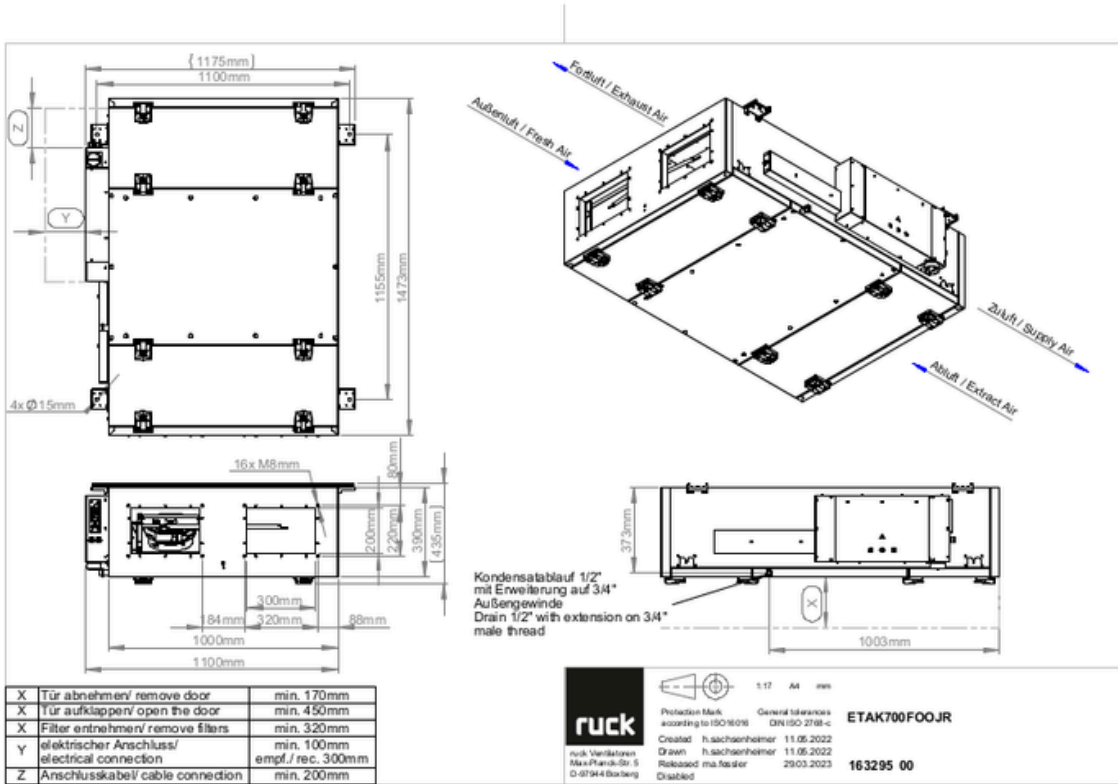
163295

CIRCUIT DIAGRAMS / DIMENSIONAL DRAWINGS



ETA K 700 F OOJR

163295



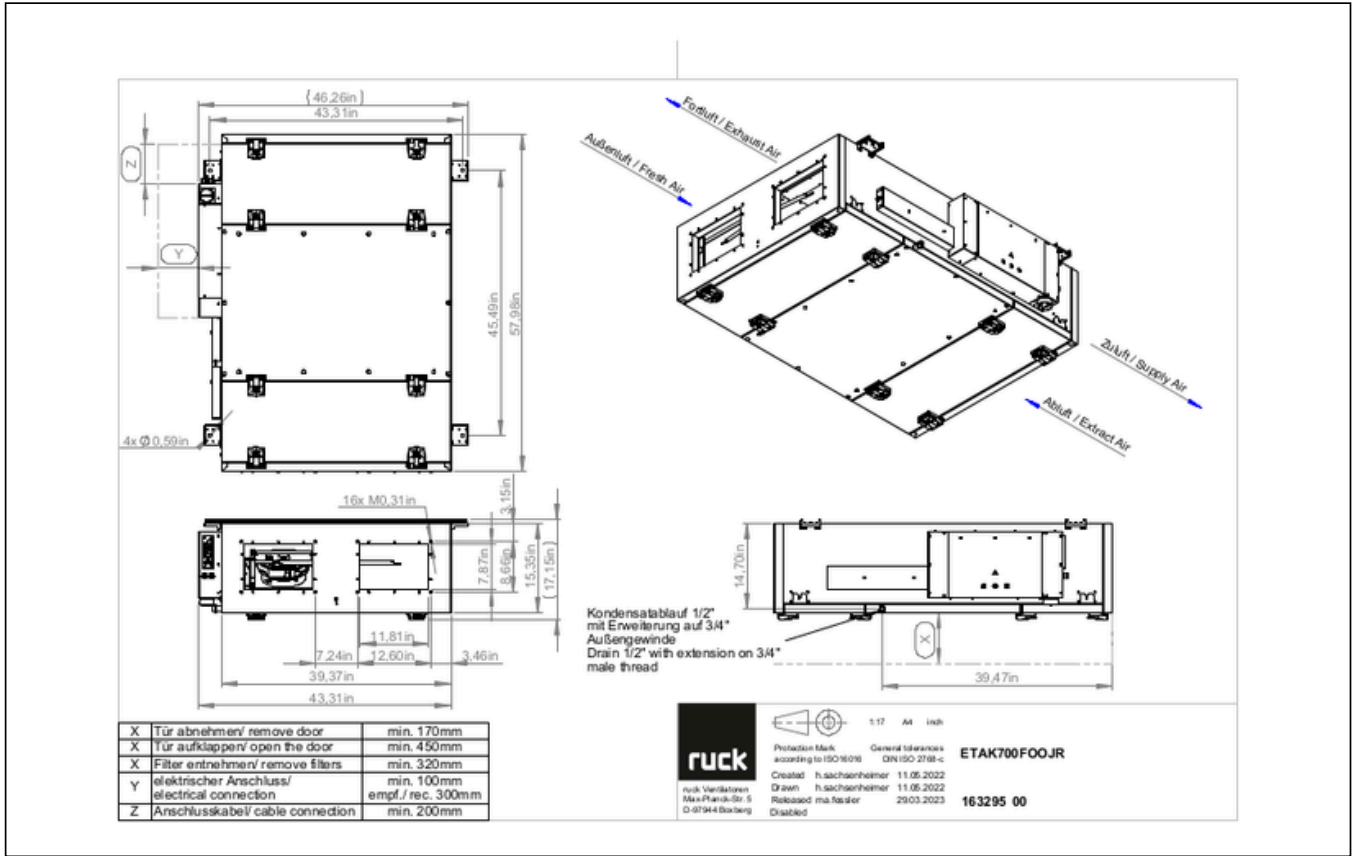
ruck Protection Mark according to ISO 9006 General tolerances DIN ISO 2768-c
 Created h.sachsenheimer 11.05.2022
 Drawn h.sachsenheimer 11.05.2022
 Released ma.fiedler 29.03.2023
 Disabled
 1:17 A4 mm
ETA K700FOOJR
163295 00



to the product detail page

ETA K 700 F OOJR

163295



to the product detail page