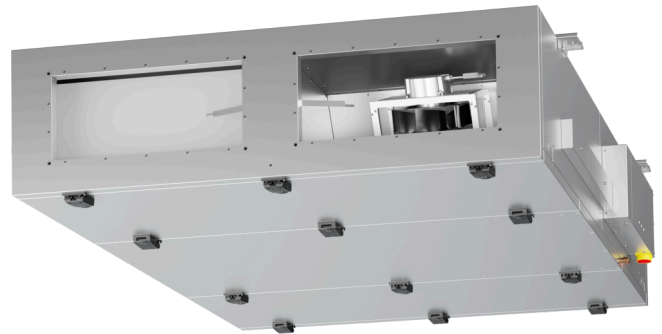


# ETA K 3500 F EOJL

171788

---

- Flat air handling unit with counter flow heat exchanger
- Ceiling mounting, version left
- Frameless, double wall housing made of galvanized steel sheet, insulated
- Constant air flow EC fans, integrated controls
- Automatic summer bypass
- Electric heating, without cooling, panel filter F7/M5
- Designed based on VDI 6022



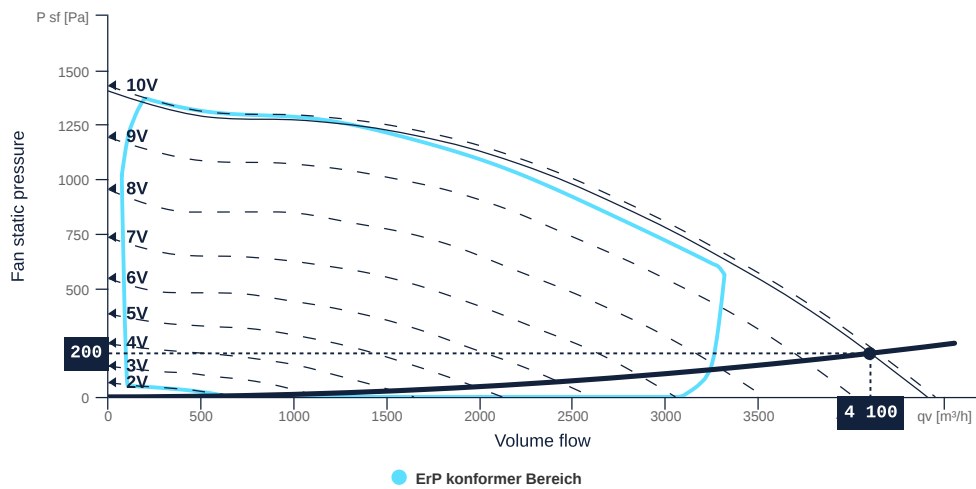
to the product detail page

# ETA K 3500 F EOJL

171788

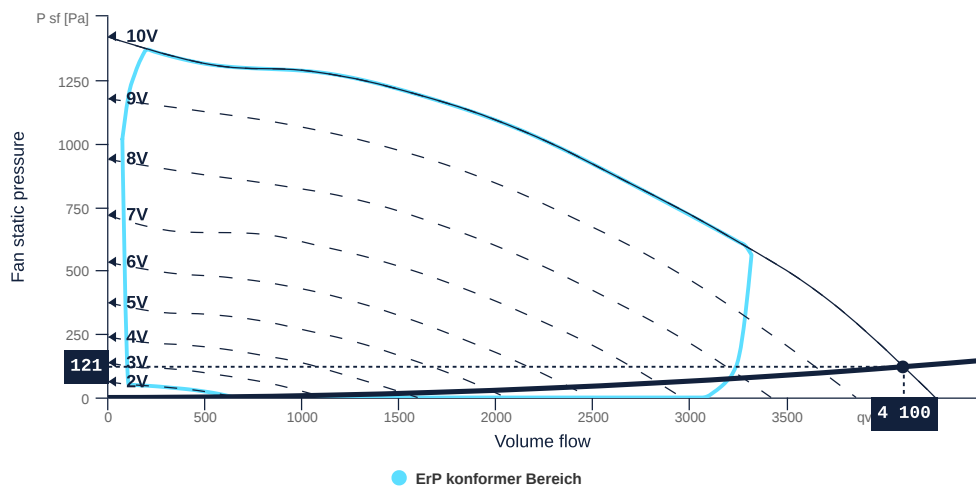
## MAP

Name	Value	Unit
Volume flow	4100	m³/h
Pressure	200	Pa



## EXTRACT AIR MAP

Name	Value	Unit
Volume flow	4100	m³/h
Pressure	121	Pa



to the product detail page

# ETA K 3500 F EOJL

171788

## HEAT RECOVERY SUMMER

Name	Value	Unit
Outside air temperature	32	°C
Temperature exhaust air	25	°C
Relative humidity outside air	40	%
Relative humidity exhaust air	50	%

## HEAT RECOVERY WINTER

Name	Value	Unit
Outside air temperature	-12	°C
Temperature exhaust air	20	°C
Relative humidity outside air	90	%
Relative humidity exhaust air	50	%

## HEAT RECOVERY

Name	Value		Unit	Formula symbol
	summer	winter		
Supply air temperature	26.22	17.53	°C	$T_{sup}$
Supply air relative humidity	56	10	%	$\phi_{sup}$
Transferred power	8.02	40.64	kW	Q
Efficiency	82.6	92.3	%	$\eta$
Air pressure drop	212	212	Pa	$\Delta p_v$

## HEATER ELECTRICAL

Name	Value	Unit
Height above sea level	0	m
Intake air temperature	-12	°C
Outlet air temperature	22	°C

Name	Value	Unit	Formula symbol
Supply air temperature	7.7	°C	$T_{sup}$
Transferred power	27.0	kW	Q
Power max.	27.0	kW	$P_{max}$
Air pressure drop	301	Pa	$\Delta p_v$



to the product detail page

# ETA K 3500 F EOJL

171788

## TECHNICAL SPECIFICATIONS

Name	Value	Unit	Formula symbol
Volumetric flow (supply air)	4100	m³/h	QVsup
Volumetric flow (extract air)	4100	m³/h	qVeta
Static pressure (supply air)	200	Pa	dpSext sup
Static pressure (extract air)	121	Pa	dpSext eta
Control voltage (supply air)	9	V	Uctrl sup
Rotation speed (supply air)	3762	1/min	Nsup
Control voltage (extract air)	10	V	Uctrl eta
Rotation speed (extract air)	3792	1/min	Neta
SFP (entire device)	2534	W/(m³/s)	sfpdevice
Current consumption Electric	3	A	Ied
Electrical power consumption	2886	W	Pedk
Sound power level outdoor air	71	dB(A)	LWAoda
Sound power level supply air	93	dB(A)	LWAAsup
Sound power level extract air	70	dB(A)	LWAeta
Sound power level exhaust air	92	dB(A)	LWAeha
Sound power level housing	70	dB(A)	LWA casing

## SOUND DATA

Sound power	mid-frequency tape										Unit	Formula symbol
	Σ	63	125	250	500	1000	2000	4000	8000	16000		
outside air	72	57	60	66	65	66	62	49	39	20	dB(A)	LWAoda
supply air	93	64	71	87	85	88	86	82	75	59	dB(A)	LWAAsup
exhaust air	71	55	60	65	65	65	58	48	40	21	dB(A)	LWAeta
exhaust air	93	63	72	85	86	88	86	81	75	59	dB(A)	LWAeha
housing	70	62	62	67	59	58	53	47	42	25	dB(A)	LWA casing

## SOUND PRESSURE LEVEL CALCULATOR

Name	Value	Unit
Enveloping surface	Halphsphere	
Distance	3	m

Sound pressure	NR	mid-frequency tape										Unit	Formula symbol
		Σ	63	125	250	500	1000	2000	4000	8000	16000		
outside air	48	54	40	42	48	47	49	44	32	21	3	dB(A)	LWAoda
supply air	71	76	46	54	69	68	70	69	65	58	42	dB(A)	LWAAsup
exhaust air	27	32	22	29	25	22	22	15	7	0	0	dB(A)	LWAeta
exhaust air	45	50	33	41	41	41	46	43	40	28	9	dB(A)	LWAeha
housing	46	50	43	41	47	37	37	32	25	20	5	dB(A)	LWA casing



to the product detail page

# ETA K 3500 F EOJL

171788

**ruck**

## GENERAL DATA

Name	Value	Unit	Formula symbol
Labeling	CE, UKCA		
Duct size	700x400		WxH <sub>duct</sub>
Rated voltage (entire device)	400	V	U <sub>rated</sub>
Phases (entire device)	3-N		phase
Electrical protection (entire device)	6 A		fuse
Housing material	Galvanized steel		mat <sub>casing</sub>
IP-protection class (casing)	IP41		IP <sub>casing</sub>
IP-protection class (entire device)	IP41		IP <sub>compl</sub>
IP-Protection class (terminal box)	IP44		IP <sub>ebox</sub>
Weight	402	kg	m
Nominal air flow rate, nominal point m <sup>3</sup> /h	2930.4	m <sup>3</sup> /h	q <sub>vnom</sub>
Nominal external pressure, static	200	Pa	p <sub>s,nom</sub>
Connection side supply air	Left		L/R
Type of the ventilation-unit	BVU - supply air		AHU <sub>type</sub>
Type of heat-recovery-system	recuperative		HRS <sub>type</sub>
Type of the heater	Electrical		H <sub>type</sub>
Type of cooler	No		C <sub>type</sub>
Outdoor installation	No		outdoor
Leak class	L2		L <sub>class</sub>
Speed control	variable speed control		VSD <sub>type</sub>
Filter class extract air	ISO ePM10 50%		F <sub>class, eta</sub>
Filter class supply air	ISO ePM1 55%		F <sub>class, sup</sub>
Mechanical stability class	D2		D <sub>class</sub>

to the product detail page



# ETA K 3500 F EOJL

171788

**ruck**

## ERP DATA (LOT 6)

Name	Value	Unit	Formula symbol
Energy performance supply air filter		E	
Energy performance extract air filter		E	
Thermal efficiency HRS, Nominal-point	84.83	%	tNRVU
Nominal air flow rate, nominal point m <sup>3</sup> /s	0.81	m <sup>3</sup> /s	q <sub>v,nom</sub>
Actual electrical input power, nominal point	1.45	kW	P <sub>e,nom</sub>
Internal specific fan power, nominal point	1081.95	Ws/m <sup>3</sup>	SFP <sub>int</sub>
Face velocity, nominal point	3.18	m/s	V <sub>nom</sub>
Nominal external pressure, static	200	Pa	p <sub>s,nom</sub>
supply air fan static efficiency, nominal point	54.67	%	η <sub>es,SUP</sub>
static efficiency of the extract fan, nominal point	61.07	%	η <sub>es,EHA</sub>
Highest external air leakage rate	0.67	%	
Enclosure sound level, nominal point	66.76	dB(A)	LWA2
Rating	Product is compliant 2018		
Internal pressure drop of ventilation components supply air, nominal point	282.54	Pa	dp <sub>vent,nom,int,SUP</sub>
Internal pressure drop of ventilation components extract air, nominal point	345.17	Pa	dp <sub>vent,nom,int,EHA</sub>

## MAXIMAL DATA

Name	Value	Unit	Formula symbol
Max. power consumption (device)	3000	W	P <sub>ed,max</sub>
Max. operating current (device)	4.7	A	I <sub>ed,max</sub>
Max. speed	3800	1/min	n <sub>max</sub>
Max. stat. efficiency	43.6	%	η <sub>es</sub>
Max. fan efficiency	43.8	%	η <sub>e</sub>
Max. flowrate	4450	m <sup>3</sup> /h	q <sub>v,max</sub>
Max. stat pressure	1430	Pa	p <sub>sf,max</sub>
Max. medium temperature	40	°C	T <sub>m,max</sub>
Max. environment temperature	40	°C	T <sub>amb,max</sub>
Min. environment temperature	-20	°C	T <sub>amb,min</sub>

## FILTER DATA

Name	Value	Unit	Formula symbol
Degree of separation (supply air)	55	%	
Degree of separation (extract air)	50	%	
Filter group (extract air)	ISO ePM10		
Fitter group (supply air)	ISO ePM1		



to the product detail page

# ETA K 3500 F EOJL

171788

## CIRCUIT DIAGRAMS / DIMENSIONAL DRAWINGS

**Dimensions:**

- Top View: 1970 (total width), 1920 (unit width), 1600 (unit height), 2400 (total height)
- Side View: 1600 (unit depth), 115 (top offset), 400 (middle offset), 420 (lower offset), 660 (total depth), 180 (door offset), 720 (door width), 100 (door thickness), 1920 (total width)
- Detail View: 1606 (width), 643 (height)

**Labels:**

- Zuluft / Supply Air
- Abluft / Extract Air
- Forluft / Exhaust Air
- Außenluft / Fresh Air
- Kanal / Duct 600x300
- E-Heizung / electric heater
- Kondensatablauf 1/2" mit Erweiterung auf 3/4" Außengewinde Drain 1/2" with extension on 3/4" male thread
- Adapter benötigt / Adapter needed
- 16x M8
- 6x Ø15

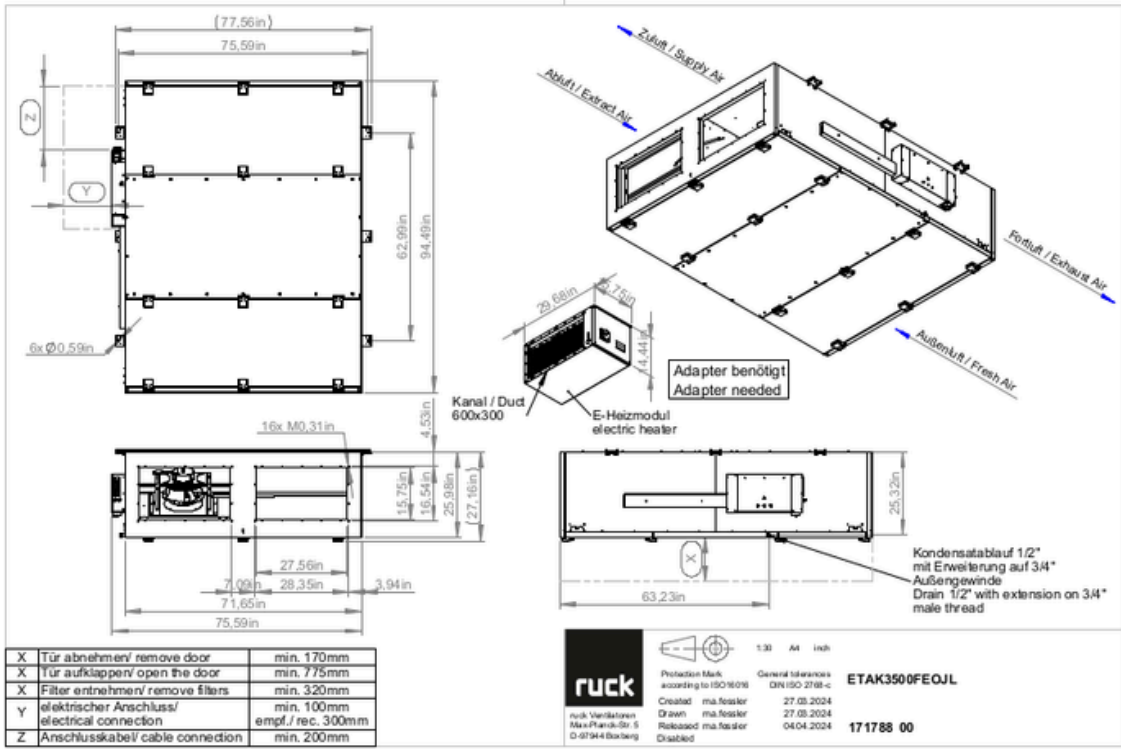
X	Tür abnehmen / remove door	min. 170mm
X	Tür aufklappen / open the door	min. 75mm
X	Filter entnehmen / remove filters	min. 320mm
Y	elektrischer Anschluss / electrical connection	empf./rec. 300mm
Z	Anschlusskabel / cable connection	min. 200mm

171788 00



# ETA K 3500 F EOJL

171788

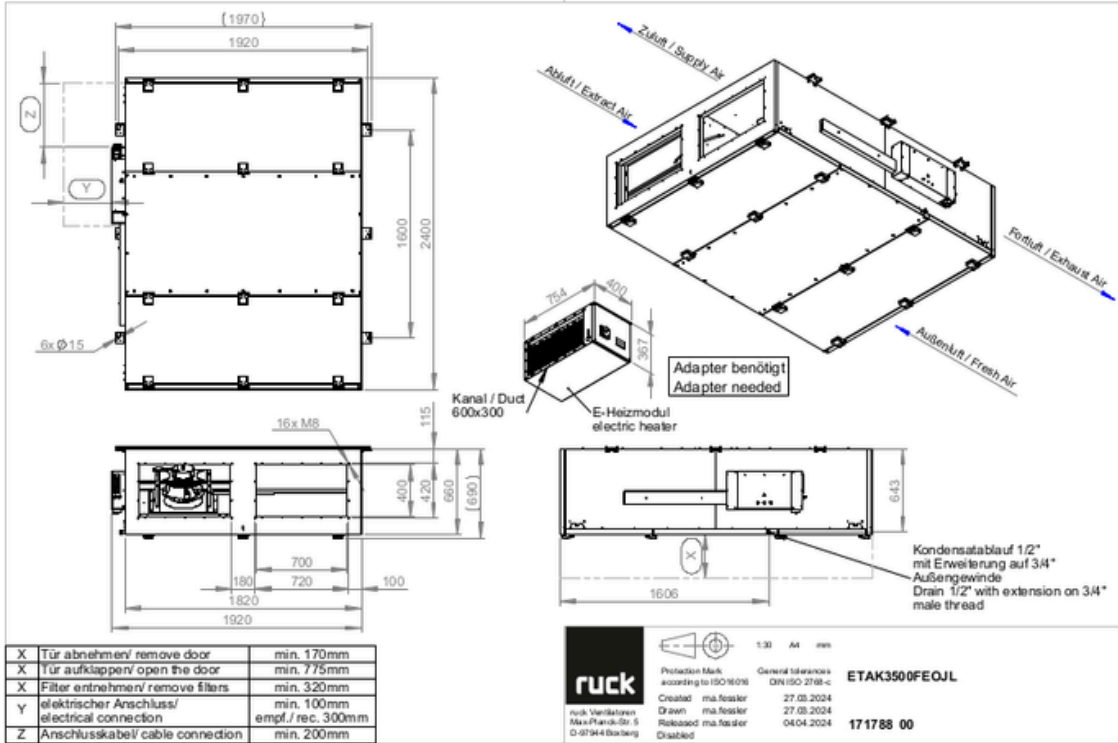


to the product detail page



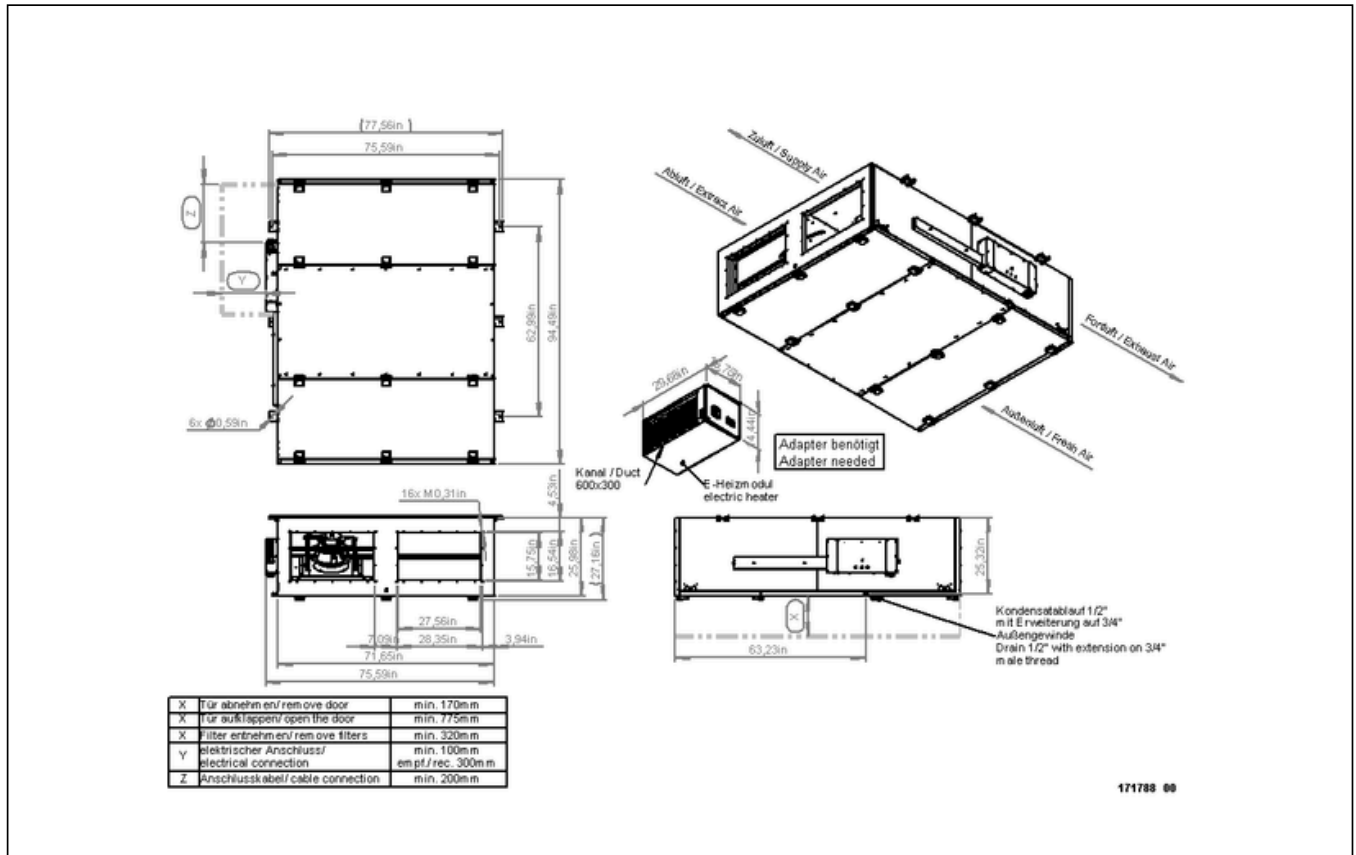
# ETA K 3500 F EOJL

171788



# ETA K 3500 F EOJL

171788



171788 00

