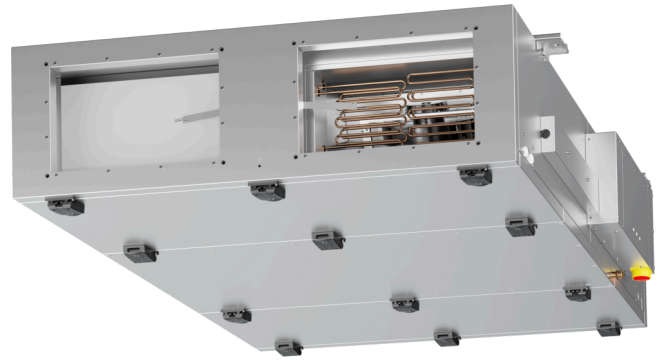


ETA K 1300 F WOJL

163796

- Flat air handling unit with counter flow heat exchanger
- Ceiling mounting, version left
- Frameless, double wall housing made of galvanized steel sheet, insulated
- Constant air flow EC fans, integrated controls
- Automatic summer bypass
- Warm water heating, without cooling, panel filter F7/M5
- Constructed acc. to VDI 6022



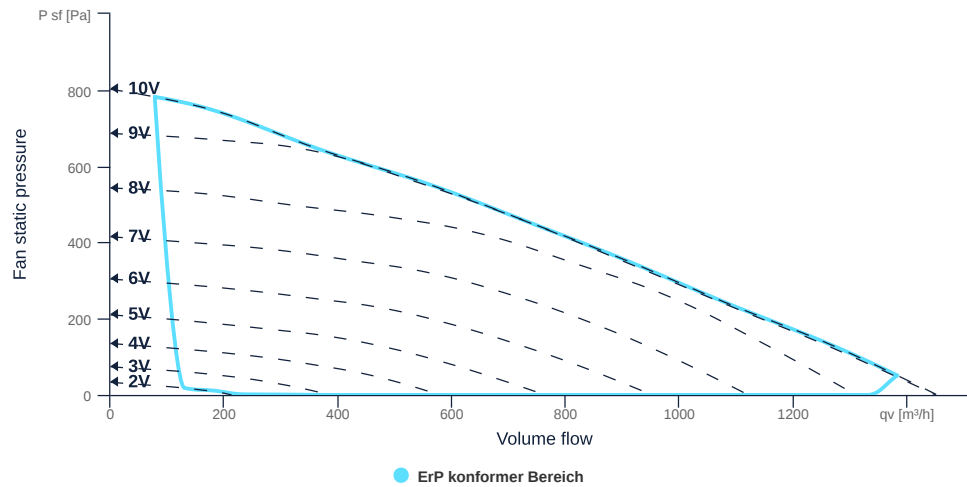
to the product detail page

ETA K 1300 F WOJL

163796

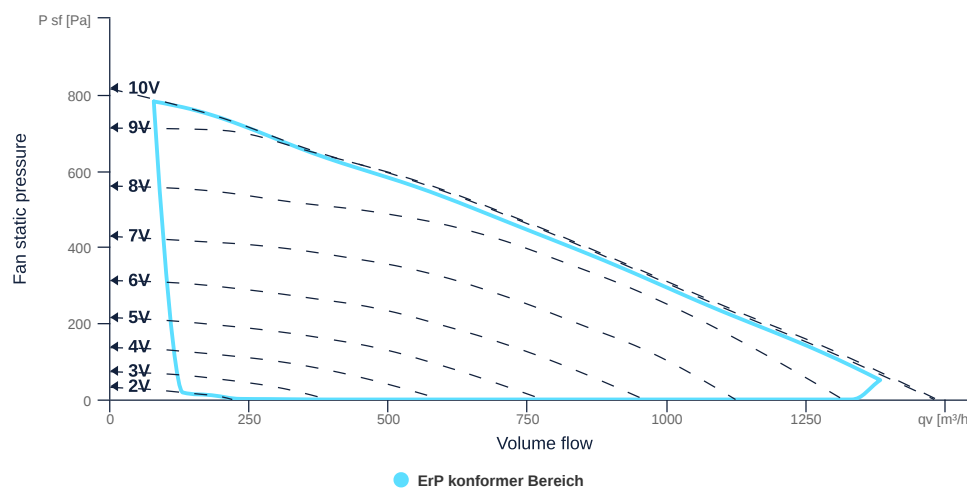
MAP

Name	Value	Unit
Volume flow	0	m³/h
Pressure	0	Pa



EXTRACT AIR MAP

Name	Value	Unit
Volume flow	0	m³/h
Pressure	0	Pa



to the product detail page

GENERAL DATA

Name	Value	Unit	Formula symbol
Labeling	CE, UKCA		
Duct size	500x300		WxH _{duct}
Rated voltage (entire device)	230	V	U _{rated}
Phases (entire device)	1~		phase
Electrical protection (entire device)	6 A		fuse
Housing material	Galvanized steel		mat _{casing}
IP-protection class (casing)	IP41		IP _{casing}
Weight	247	kg	m
Nominal air flow rate, nominal point m ³ /h	673.2	m ³ /h	q _{v,nom}
Nominal external pressure, static	368.7	Pa	p _{s,nom}
Connection side supply air	Left		L/R
Type of the ventilation-unit	BVU - supply air		AHU _{type}
Type of heat-recovery-system	recuperative		HRS _{type}
Type of the heater	Hot water		H _{type}
Type of cooler	No		C _{type}
Outdoor installation	No		outdoor
Speed control	variable speed control		VSD _{type}
Filter class extract air	ISO ePM10 50%		F _{class, eta}
Filter class supply air	ISO ePM1 55%		F _{class, sup}

ERP DATA (LOT 6)

Name	Value	Unit	Formula symbol
Energy performance supply air filter		E	
Energy performance extract air filter		E	
Thermal efficiency HRS, Nominal-point	84	%	t _{NRVU}
Nominal air flow rate, nominal point m ³ /s	0.19	m ³ /s	q _{v,nom}
Actual electrical input power, nominal point	0.42	kW	P _{e,nom}
Internal specific fan power, nominal point	653.4	Ws/m ³	SFP _{int}
Face velocity, nominal point	0.7	m/s	V _{nom}
Nominal external pressure, static	368.7	Pa	p _{s,nom}
supply air fan static efficiency, nominal point	54.9	%	η _{es,SUP}
static efficiency of the extract fan, nominal point	54.9	%	η _{es,EHA}
Highest external air leakage rate	2.27	%	
Enclosure sound level, nominal point	59	dB(A)	LWA2
Rating	Product is compliant 2018		



to the product detail page

MAXIMAL DATA

Name	Value	Unit	Formula symbol
Max. power consumption (device)	700	W	$P_{ed, max}$
Max. operating current (device)	2.56	A	$I_{ed, max}$
Max. speed	2950	1/min	n_{max}
Max. stat. efficiency	31.3	%	η_{es}
Max. fan efficiency	31.4	%	η_e
Max. flowrate	1450	m ³ /h	q_v, max
Max. stat pressure	800	Pa	$p_{sf, max}$
Max. medium temperature	40	°C	T_m, max
Max. environment temperature	40	°C	$T_{amb, max}$
Min. environment temperature	-20	°C	$T_{amb, min}$

FILTER DATA

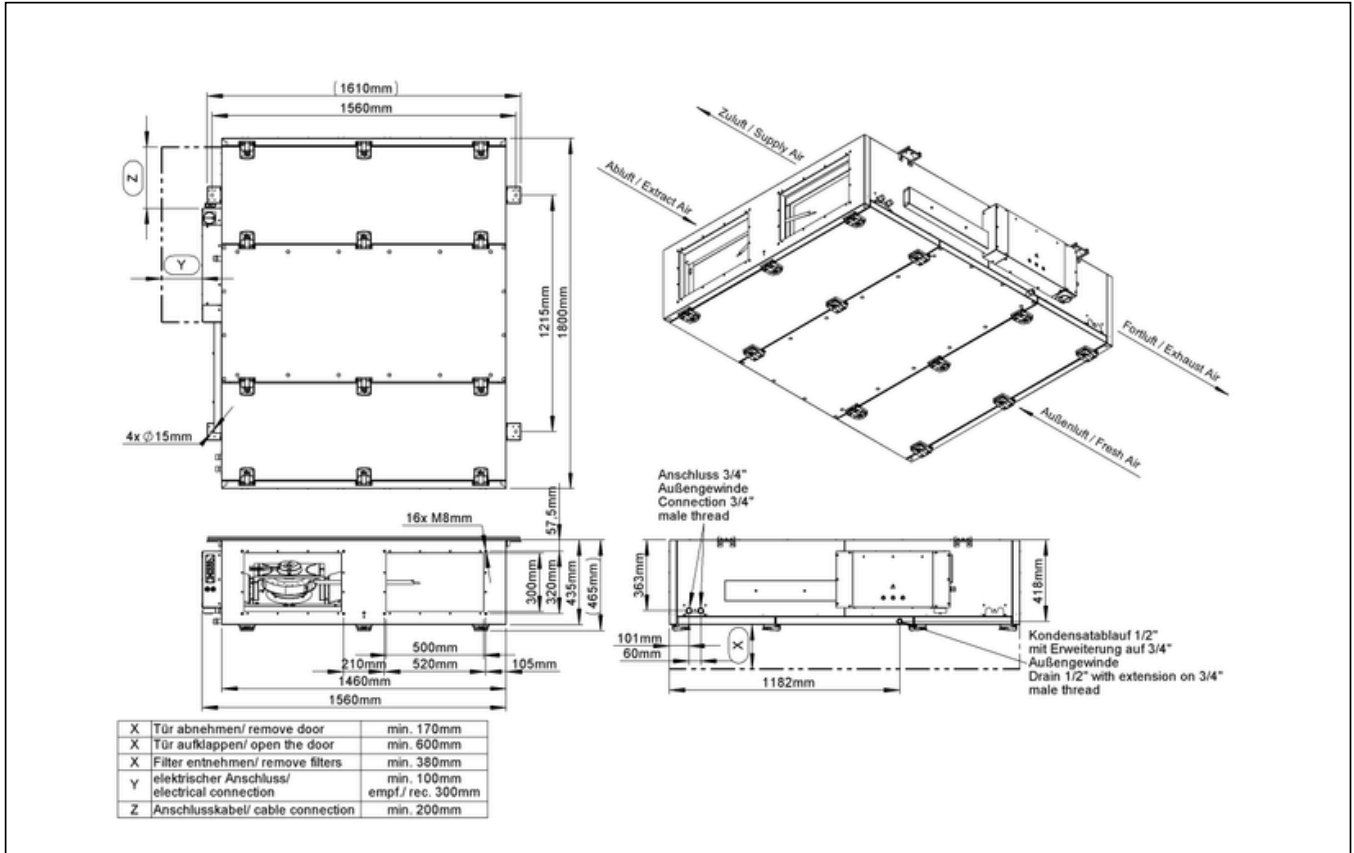
Name	Value	Unit	Formula symbol
Degree of separation (supply air)	55	%	
Degree of separation (extract air)	50	%	
Filter group (extract air)	ISO ePM10		
Filter group (supply air)	ISO ePM1		



ETA K 1300 F WOJL

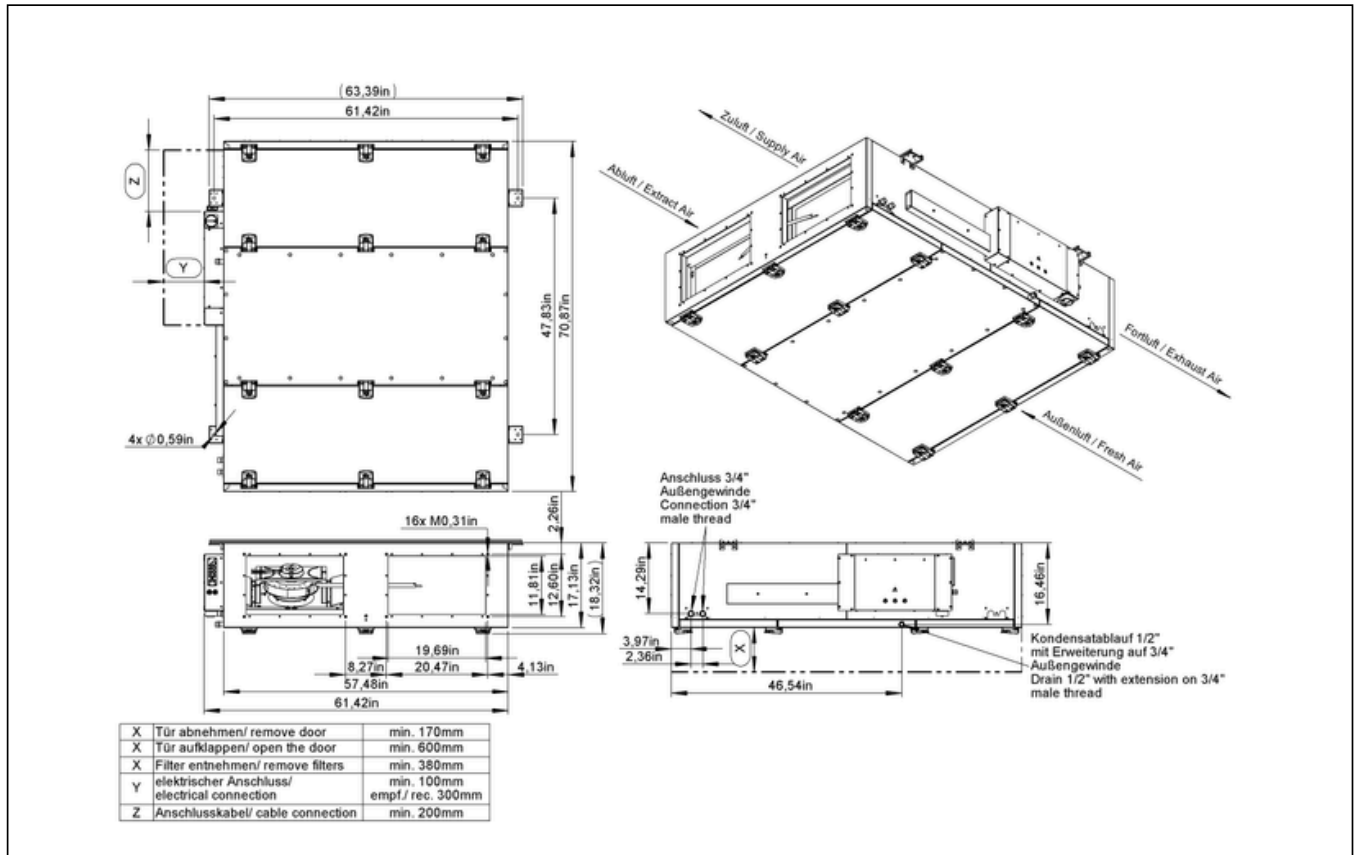
163796

CIRCUIT DIAGRAMS / DIMENSIONAL DRAWINGS



ETA K 1300 F WOJL

163796



ETA K 1300 F WOJL

163796

Z 1610mm
1560mm
12.15mm
1800mm
4 x Ø 15mm

Y 16x M8mm
300mm
320mm
435mm
4165mm
210mm
500mm
520mm
105mm
1460mm
1560mm

X 303mm
101mm
60mm
1182mm
418mm

Zufluß / Supply Air
Abfluß / Exhaust Air
Forfluß / Exhaust Air
Außenluft / Fresh Air

Anschluss 3/4" Außengewinde
Connection 3/4" male thread

Kondensatablauf 1/2" mit Erweiterung auf 3/4" Außengewinde
Drain 1/2" with extension on 3/4" male thread

X	Tür abnehmen/ remove door	min. 170mm
X	Tür aufklappen/ open the door	min. 600mm
X	Filter entnehmen/ remove filters	min. 380mm
Y	elektrischer Anschluss/ electrical connection	min. 100mm empf./ rec. 300mm
Z	Anschlusskabel/ cable connection	min. 200mm

ruck
VENTILATOREN
ruck Ventilatoren
Max-Planck-Str. 5
D-97944 Boxberg

Protection Mark
according to ISO 9109
Created: ma.fessler
Drawn: ma.fessler
Released: ma.fessler
Disabled

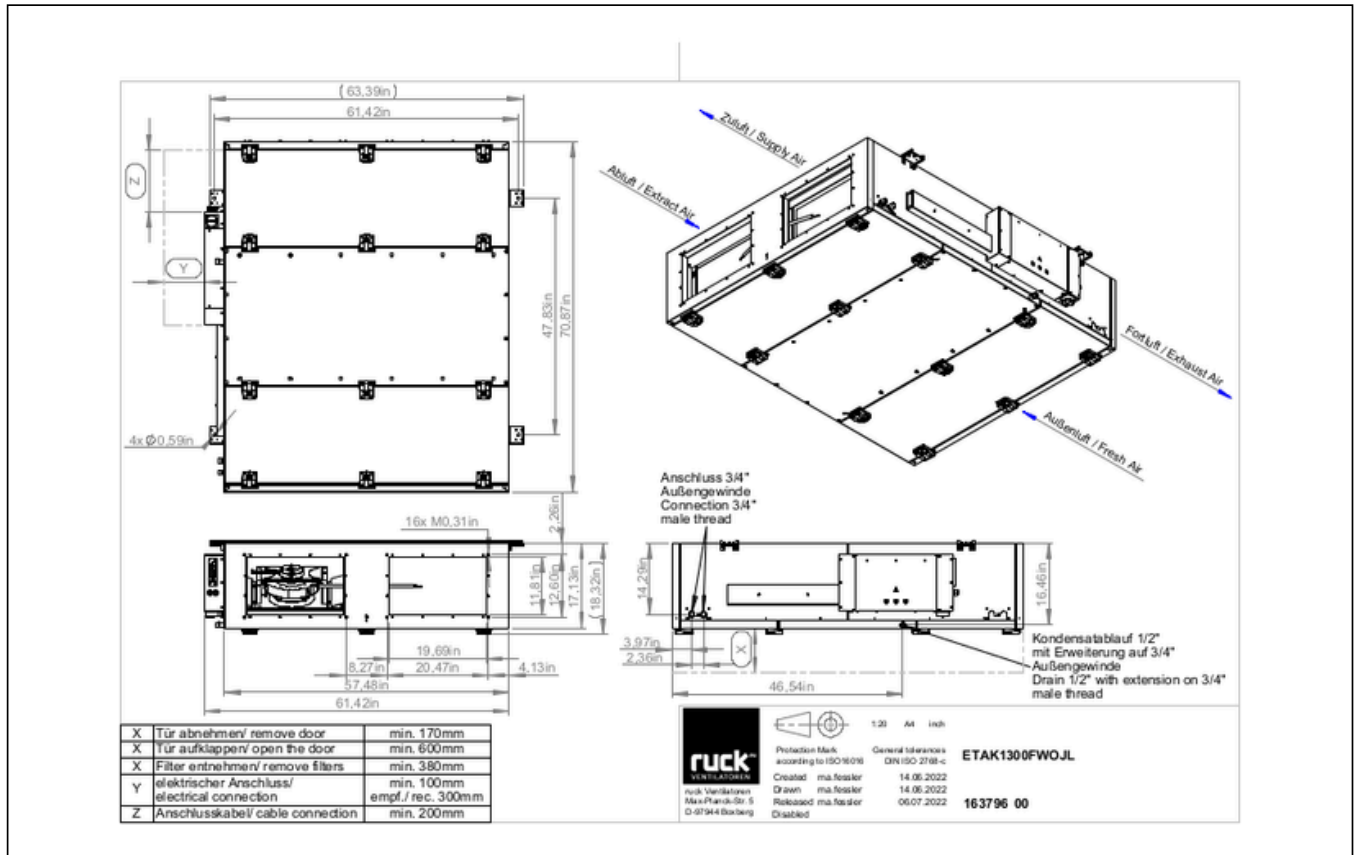
General tolerances
DIN ISO 2768-c

ETA K1300FWOJL
14.06.2022
14.06.2022
06.07.2022

1:20 A4 mm
163796 00

ETA K 1300 F WOJL

163796



to the product detail page