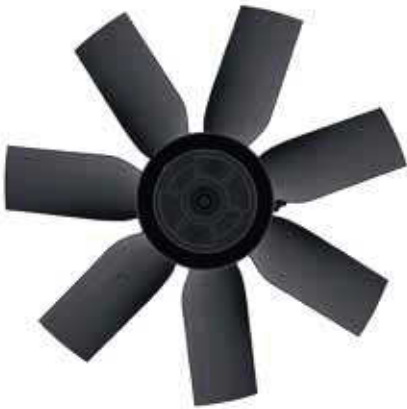


FC

for three phase alternating current, 4 pole

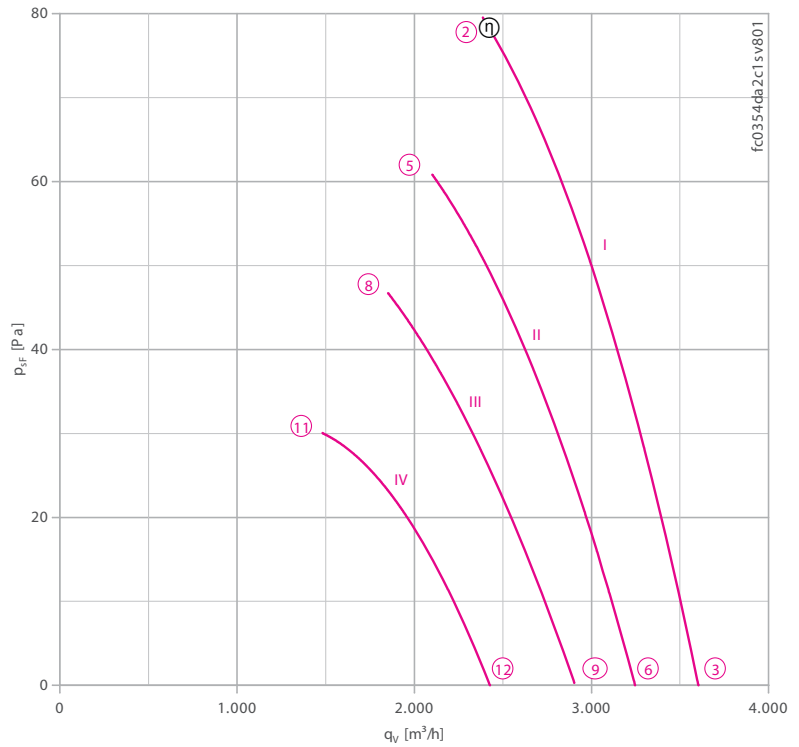
FCO35-4D



Description

Motor technology: AC
 Rated voltage U_N : 3~ 230/400 V (Δ/Y) $\pm 10\%$ *
 Rated frequency f_N : 50 Hz* (60Hz data available)
 Input power P_i : 170 W*
 Rated current I_N : 0.64/0.37 A*
 Rated speed n_N : 1370 min⁻¹*
 Starting current I_s : 2.20 / 1.30 A
 Current increase ΔI : 0 %
 Thermal class: THCL155*
 Min. permitted ambient temperature $t_{R(min)}$: -40 °C
 Max. permitted ambient temperature $t_{R(max)}$: 70 °C
 Electrical connection: Supply cable lateral-diagonal 65 cm
 Number of blades: 7
 Protection class: IP54
 Motor protection: thermal contact
 Blades: Aluminium, 1 coat paint, jet black
 Rotor: Aluminium, 1 coat paint, jet black
 Conformity: ErP 2015, CE
ErP-data
 Efficiency η_{statA} : 30.8 %
 Efficiency: $N_{actual} = 41.9 / N_{target} = 40$ **
 * Rated data
 **ErP 2015

Characteristic curve



Measured in full bell mouth without guard grille in installation type A according to ISO 5801.

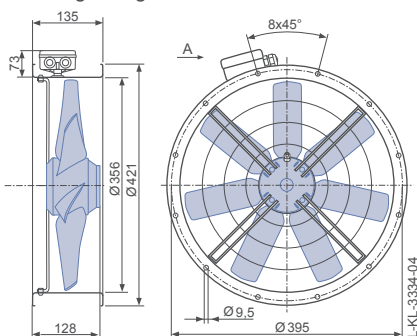
Connection diagram

Page 192
1360-106XB

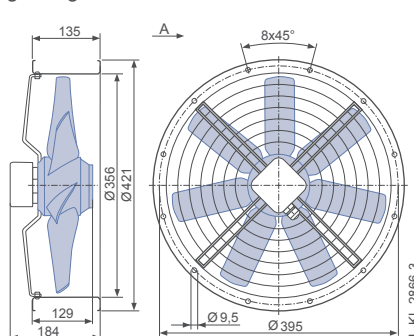
Dimensions mm

Airflow direction A

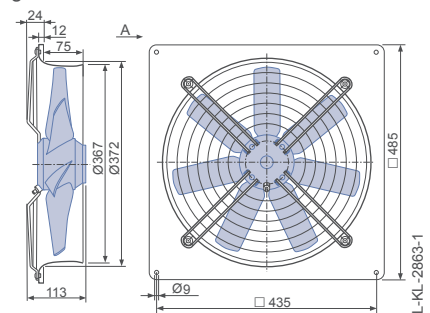
Design F - flange ring with two flanges, without guard grille



Design F - flange ring with two flanges, guard grille suction side



Design Q - square full bell mouth, guard grille suction side


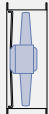

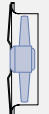


Performance data

Type	Characteristic curve	Voltage	Operating point	Current	Input power	Speed	Suction side sound power level L_{WAS} dB(A)
		U V		I A	P_1 W	n min ⁻¹	
FC035-4D_2C.A7	I	400*	②	0.39*	175*	1390*	74
		400	③	0.38	155	1410	76
	II	230	⑤	0.34	130	1220	71
		230	⑥	0.31	115	1260	73
	III	180	⑧	0.35	110	1070	67
		180	⑨	0.33	100	1130	71
	IV	140	⑪	0.35	83	890	63
		140	⑫	0.32	79	940	66

*rated data

Fan ordering information

Airflow direction A 			
Design	F (without guard grille)	F (guard grille suction side)	Q (guard grille suction side)
			
Type	FC035-4DF.2C.A7	FC035-4DF.2C.A7	FC035-4DQ.2C.A7
Article no.	132990	132992	125090
Weight kg	7.20	9.10	7.30
Electrical connection	Terminal box	Terminal box	Supply cable lateral diagonal

Control technology

Frequency inverter Fcontrol 3~ 	Motor protection units 3~ 	Electronic voltage controllers 3~ 
--	---	--