

ETA K 700 H WOJR

165409

- Compact air handling unit with counter flow heat exchanger
- Horizontal connections, version right
- Frameless, double wall housing made of galvanized steel sheet, insulated
- Constant air flow EC fans, integrated controls
- Warm water heating, without cooling, panel filter F7/M5
- For indoor and outdoor installation (optional accessories)
- Constructed acc. to VDI 6022



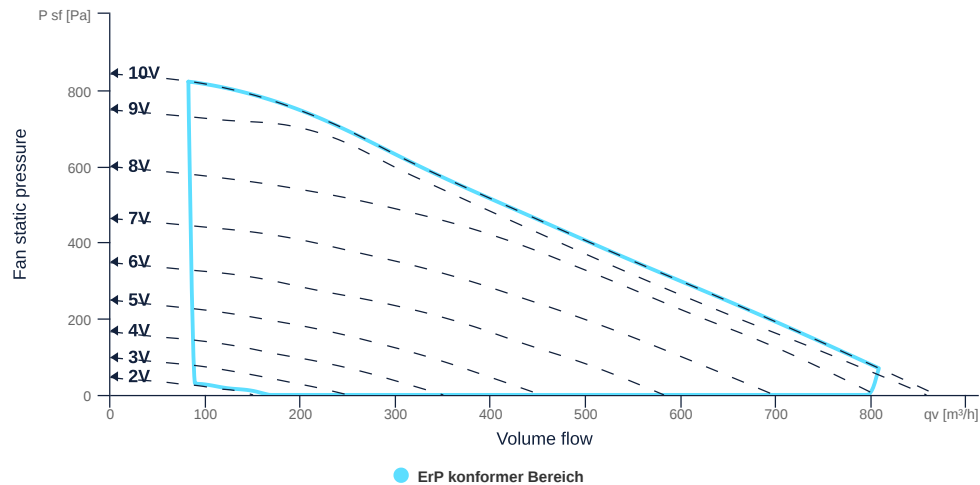
to the product detail page

ETA K 700 H WOJR

165409

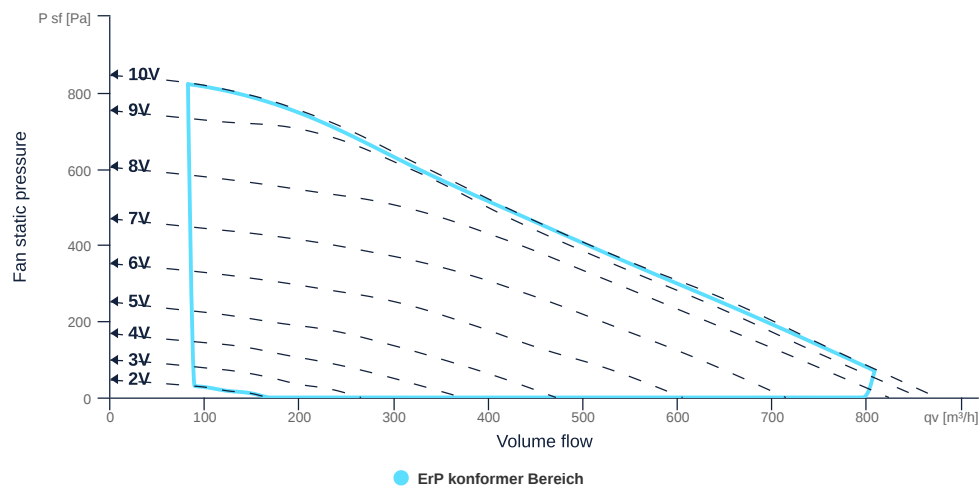
MAP

Name	Value	Unit
Volume flow	0	m³/h
Pressure	0	Pa



EXTRACT AIR MAP

Name	Value	Unit
Volume flow	0	m³/h
Pressure	0	Pa



to the product detail page

GENERAL DATA

Name	Value	Unit	Formula symbol
Labeling	CE, UKCA		
Duct size	400x250		$W \times H_{duct}$
Rated voltage (entire device)	230	V	U_{rated}
Phases (entire device)	1~		phase
Electrical protection (entire device)	6 A		fuse
Housing material	Galvanized steel		mat _{casing}
IP-protection class (casing)	IP41		IP _{casing}
IP-protection class (entire device)	IP44		IP _{compl}
Weight	170	kg	m
Nominal air flow rate, nominal point m ³ /h	622.8	m ³ /h	$q_{v,nom}$
Nominal external pressure, static	200	Pa	$p_{s,nom}$
Connection side supply air	Right		L/R
Type of the ventilation-unit	BVU - supply air		AHU _{type}
Type of heat-recovery-system	recuperative		HRS _{type}
Type of the heater	Hot water		H _{type}
Type of cooler	No		C _{type}
Outdoor installation	Yes, up to -20°C		outdoor
Leak class	L2		L _{class}
Speed control	variable speed control		VSD _{type}
Filter class extract air	ISO ePM10 65%		F _{class, eta}
Filter class supply air	ISO ePM1 55%		F _{class, sup}
Mechanical stability class	D2		D _{class}

ERP DATA (LOT 6)

Name	Value	Unit	Formula symbol
Energy performance supply air filter		E	
Energy performance extract air filter		E	
Thermal efficiency HRS, Nominal-point	80.04	%	tNRVU
Nominal air flow rate, nominal point m ³ /s	0.17	m ³ /s	$q_{v,nom}$
Actual electrical input power, nominal point	0.3	kW	$P_{e,nom}$
Internal specific fan power, nominal point	802.31	Ws/m ³	SFP _{int}
Face velocity, nominal point	0.85	m/s	V_{nom}
Nominal external pressure, static	200	Pa	$p_{s,nom}$
supply air fan static efficiency, nominal point	45.26	%	$\eta_{es,SUP}$
static efficiency of the extract fan, nominal point	46.11	%	$\eta_{es,EHA}$
Highest external air leakage rate	3.05	%	
Rating	Product is compliant 2018		
Internal pressure drop of ventilation components supply air, nominal point	179.9	Pa	$dp_{vent,nom,int,SUP}$
Internal pressure drop of ventilation components extract air, nominal point	186.67	Pa	$dp_{vent,nom,int,EHA}$



to the product detail page

ETA K 700 H WOJR

165409

ruck

MAXIMAL DATA

Name	Value	Unit	Formula symbol
Max. power consumption (device)	360	W	$P_{ed, max}$
Max. operating current (device)	3	A	$I_{ed, max}$
Max. speed	3800	1/min	n_{max}
Max. stat. efficiency	31.4	%	η_{es}
Max. fan efficiency	31.5	%	η_e
Max. flowrate	870	m ³ /h	$q_{v, max}$
Max. stat pressure	840	Pa	$p_{sf, max}$
Max. medium temperature	40	°C	$T_{m, max}$
Max. environment temperature	40	°C	$T_{amb, max}$
Min. environment temperature	-20	°C	$T_{amb, min}$

FILTER DATA

Name	Value	Unit	Formula symbol
Degree of separation (supply air)	55	%	
Degree of separation (extract air)	65	%	
Filter group (extract air)	ISO ePM10		
Filter group (supply air)	ISO ePM1		

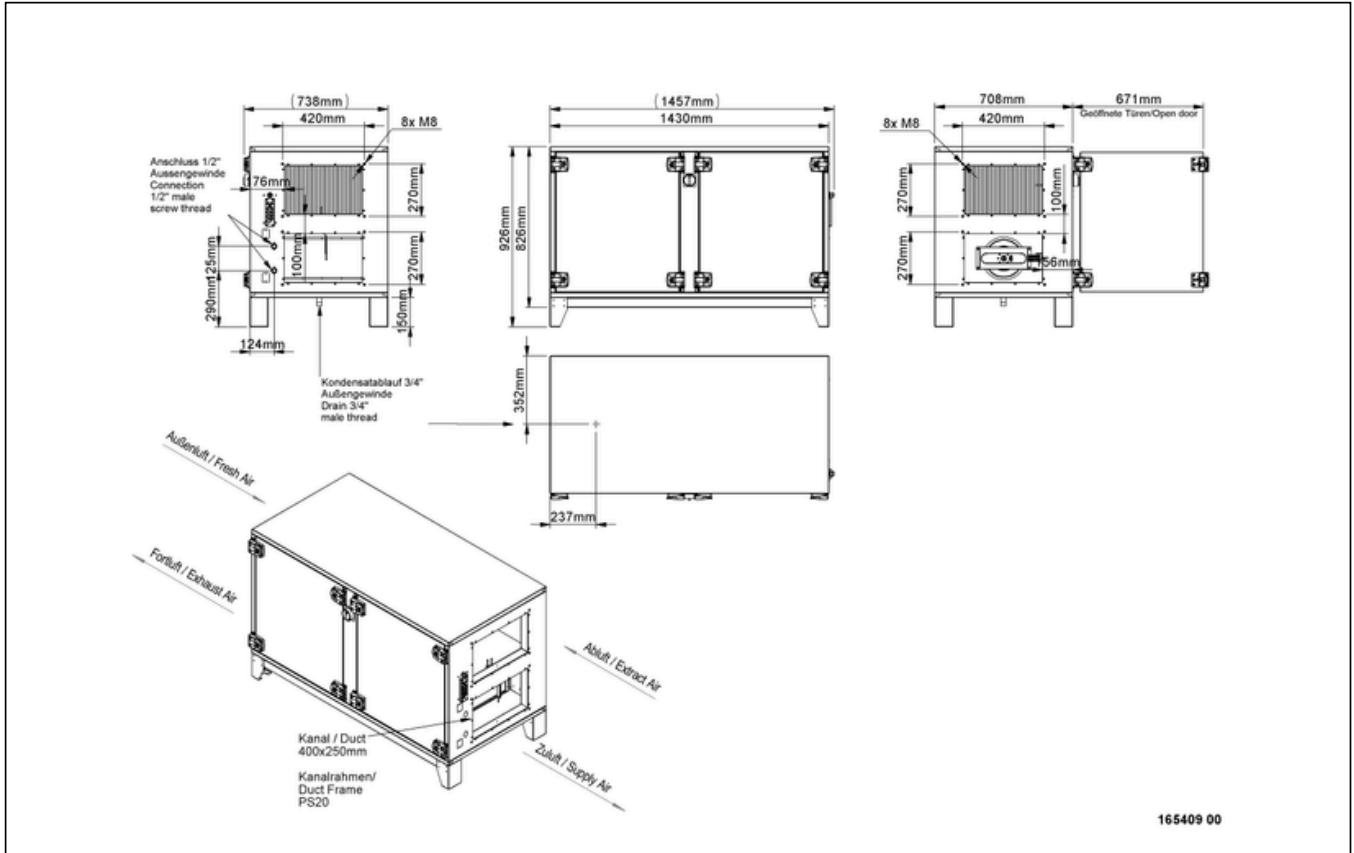


to the product detail page

ETA K 700 H WOJR

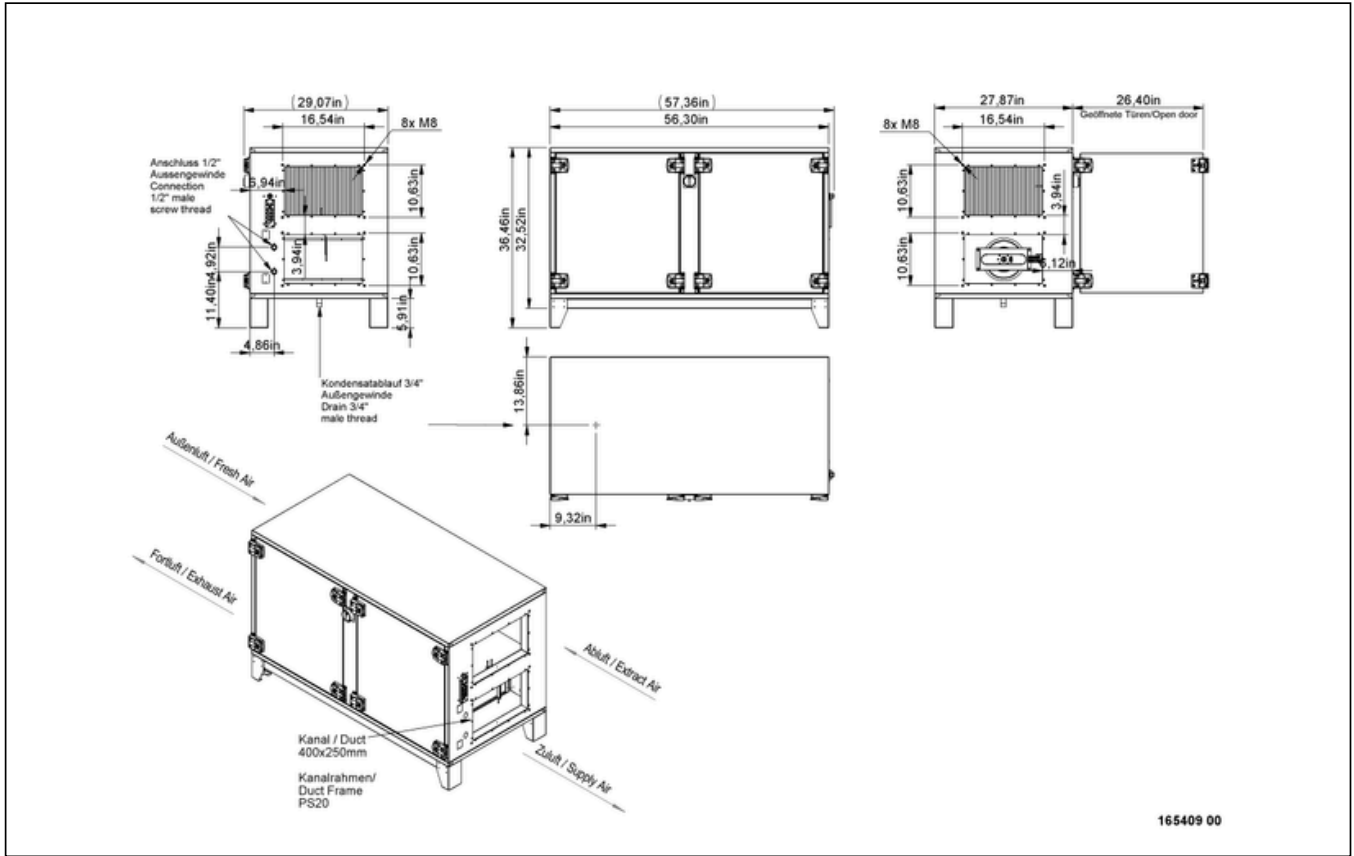
165409

CIRCUIT DIAGRAMS / DIMENSIONAL DRAWINGS



ETA K 700 H WOJR

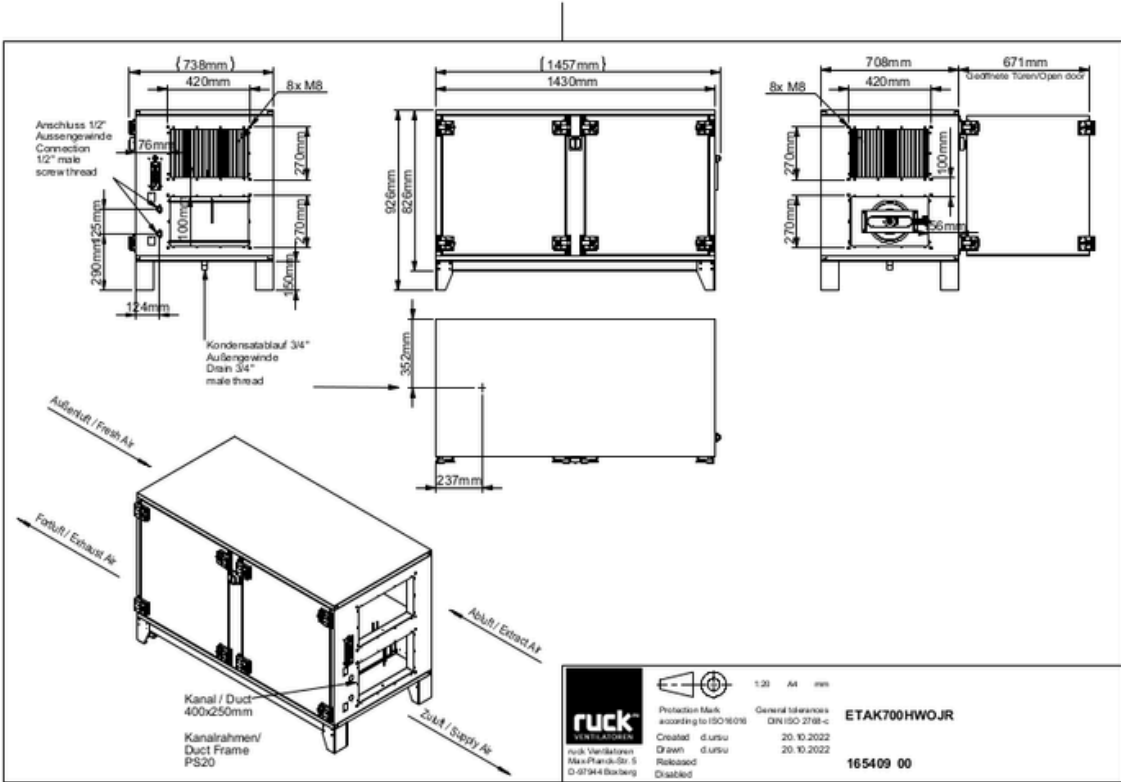
165409



to the product detail page

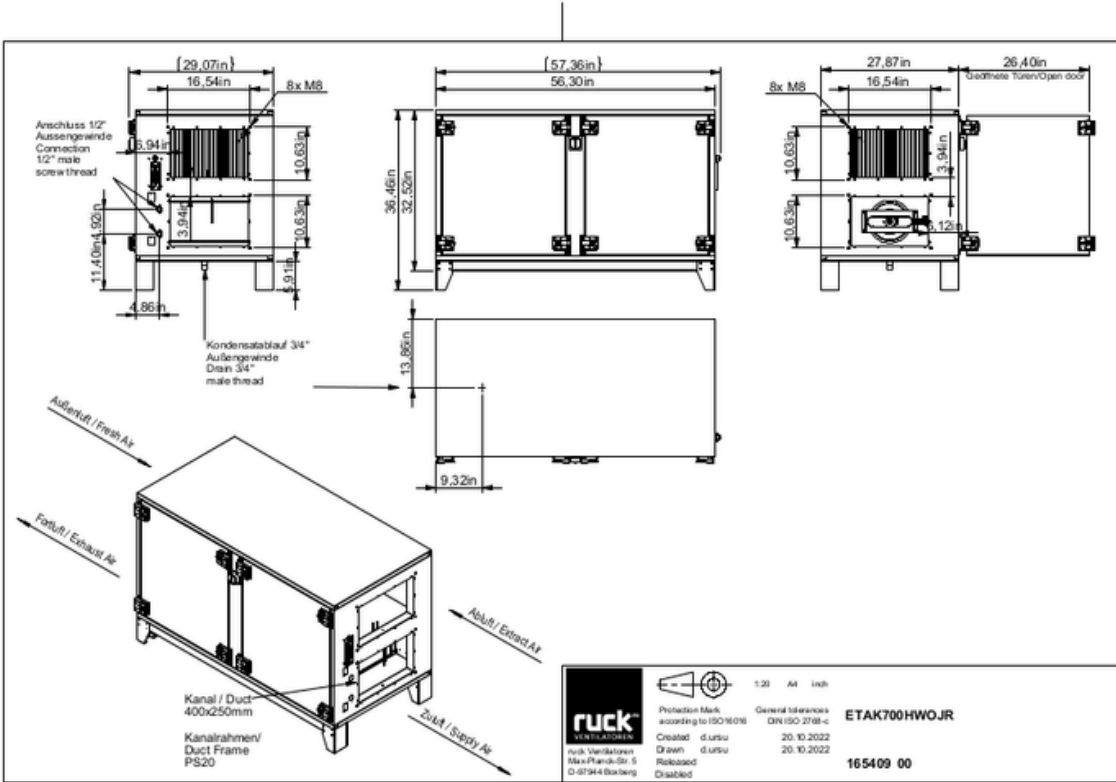
ETA K 700 H WOJR

165409



ETA K 700 H WOJR

165409



to the product detail page