

# ETA K 1300 H WOJR

165415

---

- Compact air handling unit with counter flow heat exchanger
- Horizontal connections, version right
- Frameless, double wall housing made of galvanized steel sheet, insulated
- Constant air flow EC fans, integrated controls
- Warm water heating, without cooling, panel filter F7/M5
- For indoor and outdoor installation (optional accessories)
- Constructed acc. to VDI 6022

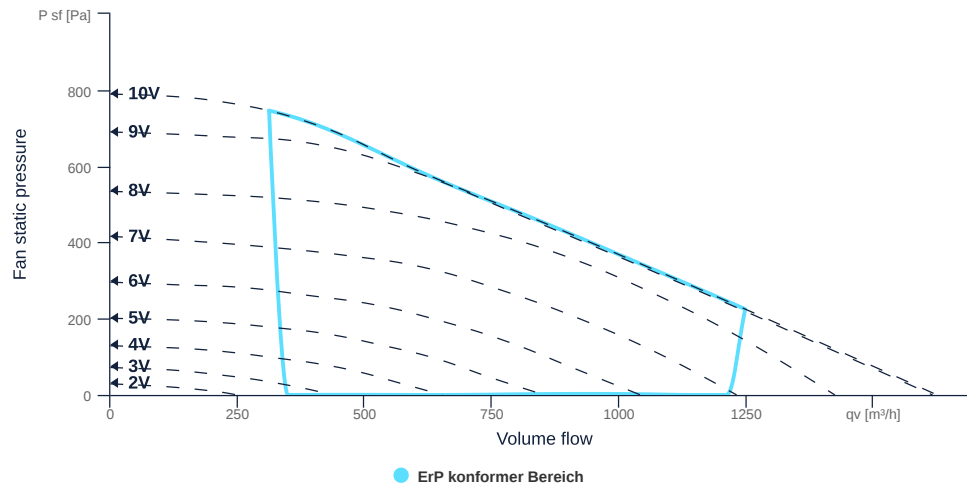


# ETA K 1300 H WOJR

165415

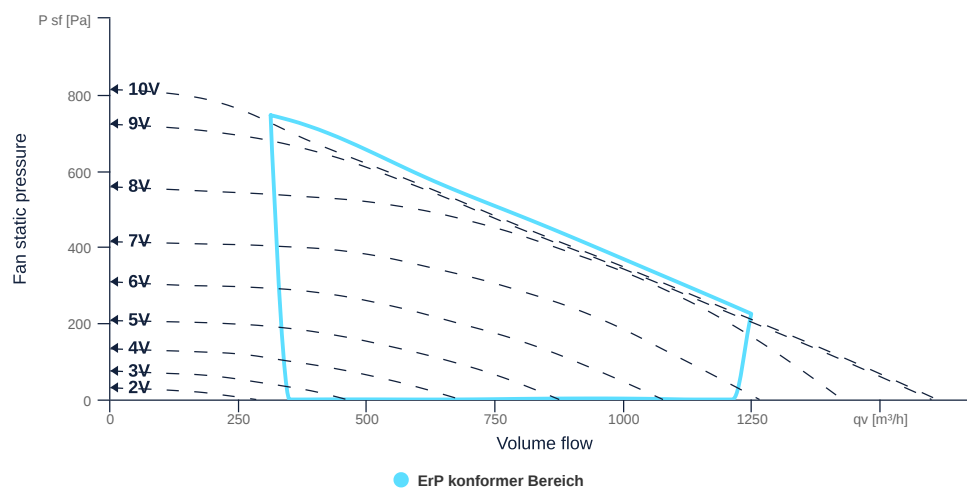
## MAP

Name	Value	Unit
Volume flow	0	m³/h
Pressure	0	Pa



## EXTRACT AIR MAP

Name	Value	Unit
Volume flow	0	m³/h
Pressure	0	Pa



to the product detail page

## GENERAL DATA

Name	Value	Unit	Formula symbol
Labeling	CE, UKCA		
Duct size	500x300		WxH <sub>duct</sub>
Rated voltage (entire device)	230	V	U <sub>rated</sub>
Phases (entire device)	1~		phase
Electrical protection (entire device)	6 A		fuse
Housing material	Galvanized steel		mat <sub>casing</sub>
IP-protection class (casing)	IP41		IP <sub>casing</sub>
IP-protection class (entire device)	IP44		IP <sub>compl</sub>
Weight	230	kg	m
Nominal air flow rate, nominal point m <sup>3</sup> /h	702	m <sup>3</sup> /h	q <sub>v,nom</sub>
Nominal external pressure, static	338.6	Pa	p <sub>s,nom</sub>
Connection side supply air	Right		L/R
Type of the ventilation-unit	BVU - supply air		AHU <sub>type</sub>
Type of heat-recovery-system	recuperative		HRS <sub>type</sub>
Type of the heater	Hot water		H <sub>type</sub>
Type of cooler	No		C <sub>type</sub>
Outdoor installation	Yes, up to -20°C		outdoor
Speed control	variable speed control		VSD <sub>type</sub>
Filter class extract air	ISO ePM10 50%		F <sub>class, eta</sub>
Filter class supply air	ISO ePM1 55%		F <sub>class, sup</sub>

## ERP DATA (LOT 6)

Name	Value	Unit	Formula symbol
Energy performance supply air filter	E		
Energy performance extract air filter	E		
Thermal efficiency HRS, Nominal-point	82.2	%	t <sub>NRVU</sub>
Nominal air flow rate, nominal point m <sup>3</sup> /s	0.2	m <sup>3</sup> /s	q <sub>v,nom</sub>
Actual electrical input power, nominal point	0.35	kW	P <sub>e,nom</sub>
Internal specific fan power, nominal point	388.1	Ws/m <sup>3</sup>	SFP <sub>int</sub>
Face velocity, nominal point	0.7	m/s	v <sub>nom</sub>
Nominal external pressure, static	338.6	Pa	p <sub>s,nom</sub>
supply air fan static efficiency, nominal point	55.1	%	η <sub>es,SUP</sub>
static efficiency of the extract fan, nominal point	55.1	%	η <sub>es,EHA</sub>
Enclosure sound level, nominal point	65	dB(A)	LWA2
Rating	Product is compliant 2018		



# ETA K 1300 H WOJR

165415

**ruck**

## MAXIMAL DATA

Name	Value	Unit	Formula symbol
Max. power consumption (device)	590	W	$P_{ed, max}$
Max. operating current (device)	4	A	$I_{ed, max}$
Max. speed	2960	1/min	$n_{max}$
Max. stat. efficiency	37.3	%	$\eta_{es}$
Max. fan efficiency	37.4	%	$\eta_e$
Max. flowrate	1625	m <sup>3</sup> /h	$q_{v, max}$
Max. stat pressure	790	Pa	$p_{sf, max}$
Max. medium temperature	40	°C	$T_{m, max}$
Max. environment temperature	40	°C	$T_{amb, max}$
Min. environment temperature	-20	°C	$T_{amb, min}$

## FILTER DATA

Name	Value	Unit	Formula symbol
Degree of separation (supply air)	55	%	
Degree of separation (extract air)	50	%	
Filter group (extract air)	ISO ePM10		
Filter group (supply air)	ISO ePM1		

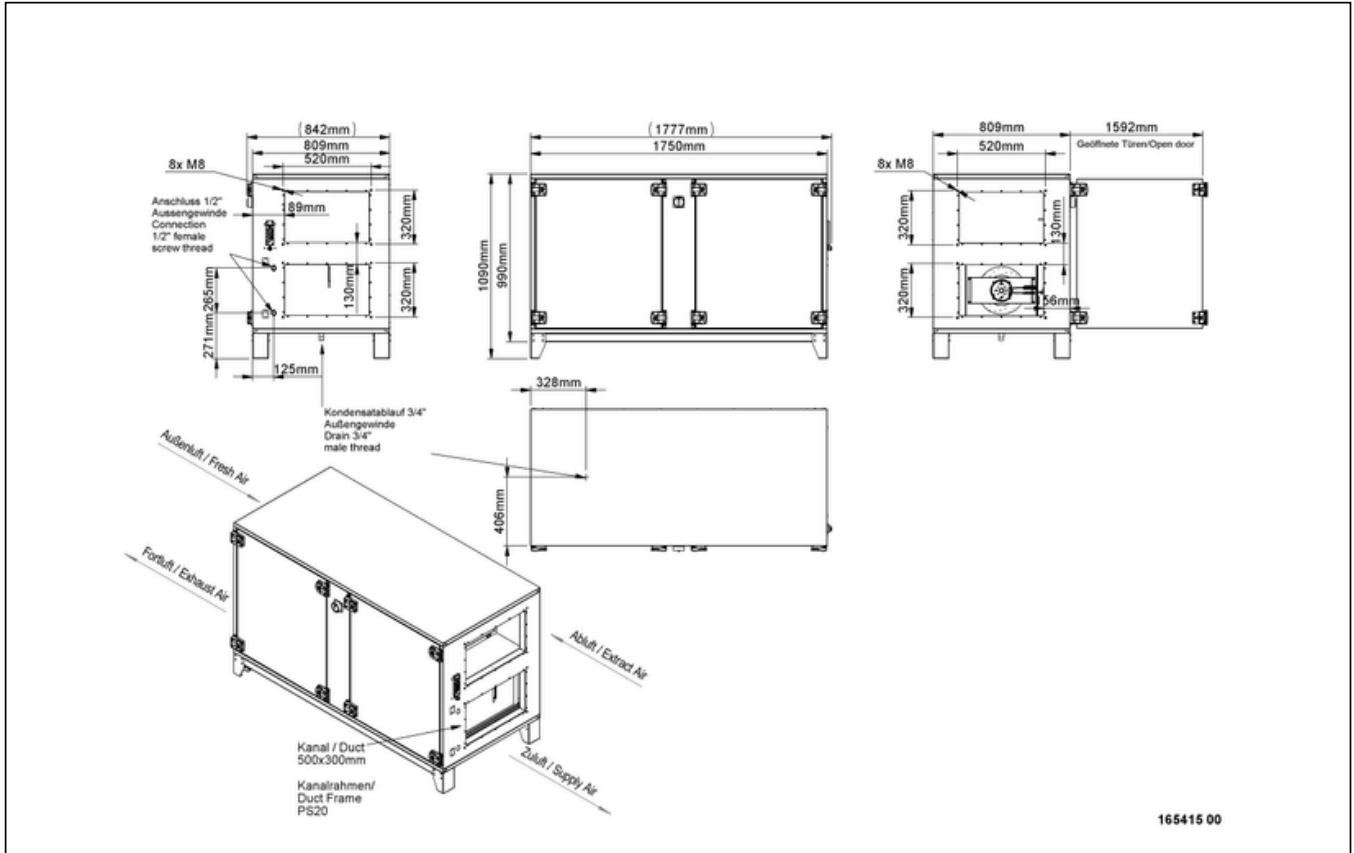
to the product detail page



# ETA K 1300 H WOJR

165415

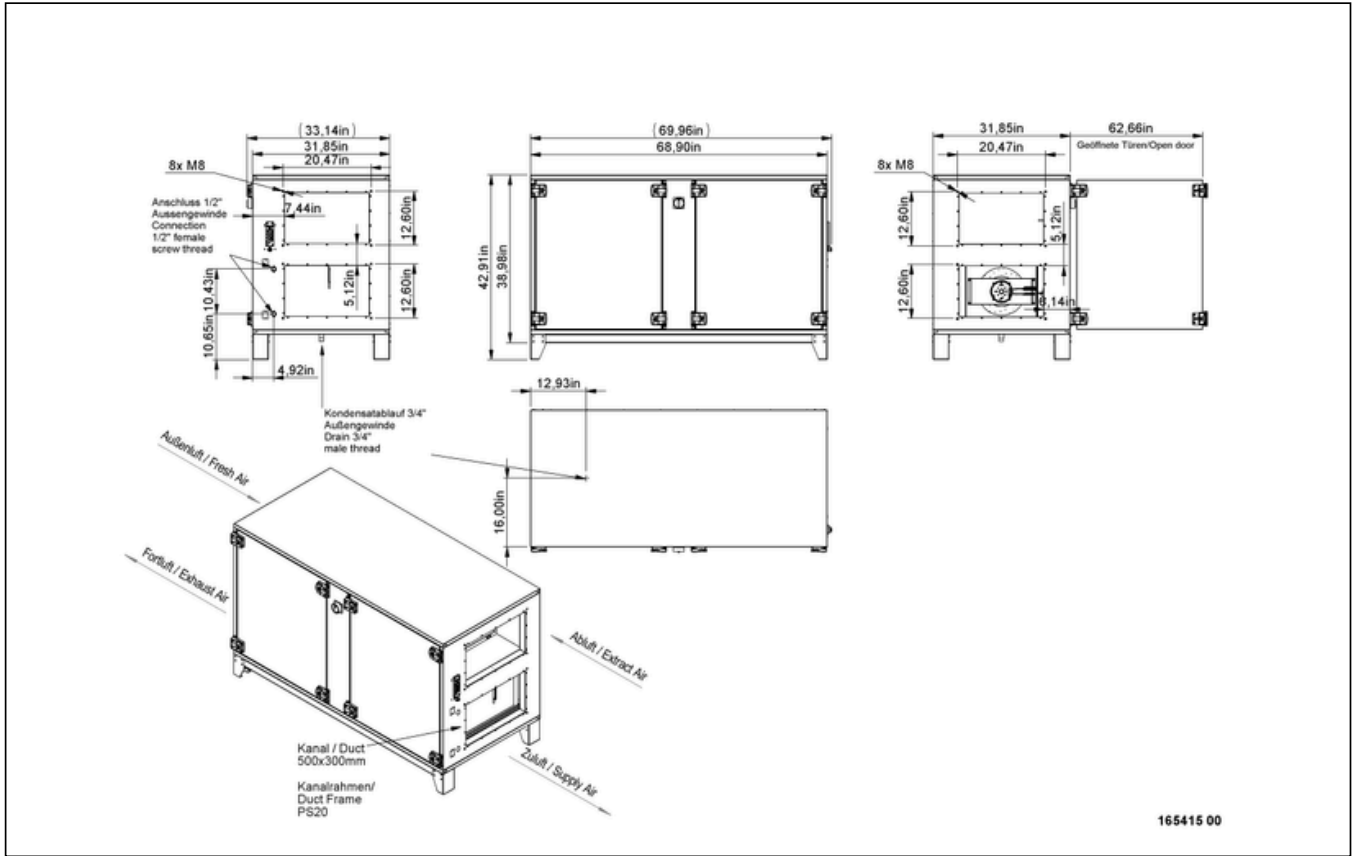
## CIRCUIT DIAGRAMS / DIMENSIONAL DRAWINGS



to the product detail page

# ETA K 1300 H WOJR

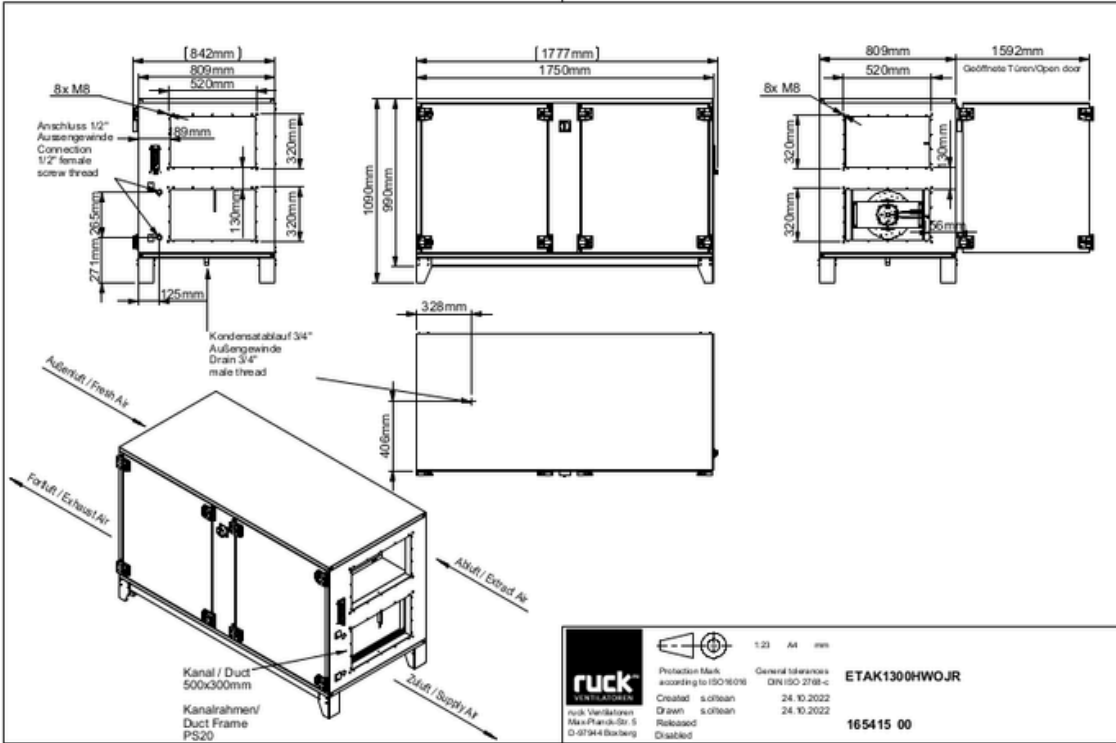
165415



to the product detail page

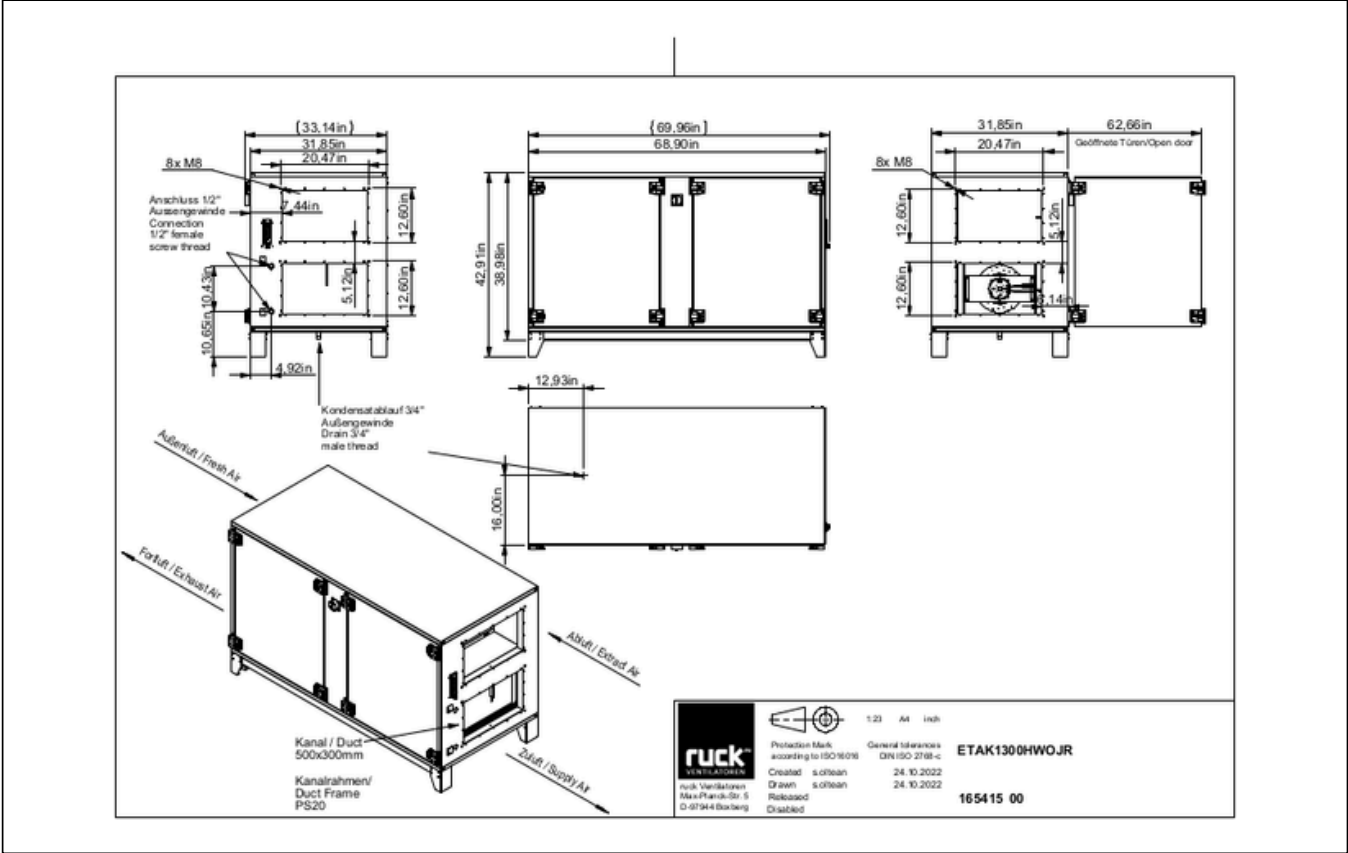
# ETA K 1300 H WOJR

165415



# ETA K 1300 H WOJR

165415



to the product detail page



# ETA K 1300 H WOJR

165415

## MECHANICAL ACCESSORIES

**RSK 355D | 113491**



- Back draught shutter for tube fitting
- Galvanized steel sheet housing
- Aluminum flaps
- Integrated gasket

**VS 5030 | 102805**



- Duct connector, flexible
- Standard profile flange P20
- Galvanized steel sheet, plastic band (PVC)
- Temperature resistant up to 70 °C

**UKR 5030 03 | 138621**



- Transition duct / tube
- Steel sheet, galvanized
- 500 x 300 mm / NW 355 mm with seal lips

**UKR 5030 04 | 138688**



- Transition duct / tube
- Steel sheet, galvanized
- 500 x 300 mm / NW 315 mm with seal lips

**VM 355 | 102653**



- Fast clamps for sound decoupling and sealing
- Galvanized steel sheet, 5 mm
- Neopren gasket
- 1 Pack = 2 pieces

**KWRI 6030 01 | 125509**



- Cold water cooling coil, galvanized steel sheet, insulated
- Integrated condensate tray, drip separator
- With NTC temperature sensor
- Air direction and connection side interchangeable (Data sheet)

**DVRI 6030 01 | 125510**



- Direct evaporator, galvanized steel sheet, insulated
- Integrated condensate tray, drip separator
- With NTC temperature sensor
- Air direction and connection side interchangeable (Data sheet)

**MAK 315 02 | 125467**



- Motor shut-off flap
- With actuator 3-point-control, with actuator 230 V, 50 Hz

**MAK 355 02 | 125476**



- Motor shut-off flap
- With actuator 3-point-control, with actuator 230 V, 50 Hz

**SDS 355 | 102725**



- Rigid tube silencer
- Galvanized steel sheet
- Sound insulation packing 50 mm (mineral wool)

**SYS 01 | 123971**



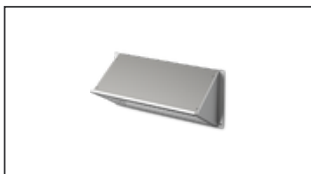
- Ball siphon
- Type suction side

**SDS 315 | 102723**



- Rigid tube silencer
- Galvanized steel sheet
- Sound insulation packing 50 mm (mineral wool)

**WSH ETA K 1200 H / 1300 H | 142528**



- Weather protection hood
- Galvanized steel sheet

**MAK 315 01 | 125466**



- Motor shut-off flap
- With spring return VDI 6022, with actuator 230 V, 50 Hz

**MAK 355 01 | 125475**



- Motor shut-off flap
- With spring return VDI 6022, with actuator 230 V, 50 Hz

**RSK 315D | 113489**



- Back draught shutter for tube fitting
- Galvanized steel sheet housing
- Aluminum flaps
- Integrated gasket

**VM 315 | 102652**

**MAK H E 02 FR | 164555**

**MAK H E 02 3P | 164559**

**RD ETA K 1300 H | 165408**



to the product detail page

# ETA K 1300 H WOJR

165415



- Fast clamps for sound decoupling and sealing
- Galvanized steel sheet, 5 mm
- Neopren gasket
- 1 Pack = 2 pieces



- Motorized shut-off flap
- Made of galvanized sheet steel, insulated
- Open-close, with spring return
- Actuator 230 V, 50/60 Hz, 4 Nm



- Motorized shut-off flap
- Made of galvanized sheet steel, insulated
- Open-close, with 3-point control
- Actuator 230 V, 50/60 Hz



- Rain cover for outdoor installation
- Galvanized steel sheet

## LFP 77 ISO ePM1 55 % | 168771



- Air filter panel
- ISO ePM1 55%
- 700x400x96 mm

## LFP 76 ISO ePM10 50% | 168778



- Air filter panel
- ISO ePM10 50%
- 700x400x96 mm



# ETA K 1300 H WOJR

165415

## ELECTRICAL ACCESSORIES

121620 | 121620



- 3-way ball-valve with actuator 230 V
- With actuator: Control 3-punct or ON/OFF
- Connections internal thread 1/2 ``
- Temperature range 0 °C...+50 °C

SEN RAUCH 02 | 148637



- Duct smoke sensor
- Contamination display in % and message at 70 %
- 1 Switching contact, 8 A, 250 V AC 1 nc, 8 A, 250 V AC
- Supply flow 1 - 20 m/s

SEN TEMP | 148639



- Duct temperature sensor
- Measuring range -50..+150 °C
- NTC 5k
- Incl. mounting clip, mounting screws

SEN P1000 | 126080



- Differential pressure sensor
- P-control, PV-control
- P = 2 pcs. required, PV = 1 pcs. required

SEN RH | 148636



- Humidity sensor
- Humidity 0..100 % rH
- Output 2 x 0-10V
- 15..24Vdc, max 0,3 W

SEN RAUCH 01 | 148638



- Duct smoke sensor
- Contamination display in % and message at 70 %

SEN CO2 03 | 168178



- CO2 sensor for demand based volume flow control
- Supply voltage 24 V
- Output 0-10 V DC
- Protection class IP 20

SEN CO2 02 | 168750



- Sensor for demand-based volume flow control
- 24 V AC ± 20 %, 15 - 35 V DC or 19 - 29 V AC
- Output 0 - 10 V DC
- Measurement 0 - 2000 ppm CO2

THE 02 | 168720



- Frost protection thermostat
- Control range -10 °C...+12 °C, temperature range -10 °C...+55 °C
- Output switching contact 1-pole changeover switch resp. contact
- Capillary length 6 m

THE 01 | 168724



- Frost protection thermostat
- Control range -10 °C...+12 °C, temperature range -10 °C...+55 °C
- Output switching contact 1-pole changeover switch resp. contact
- Capillary length 1,8 m



to the product detail page