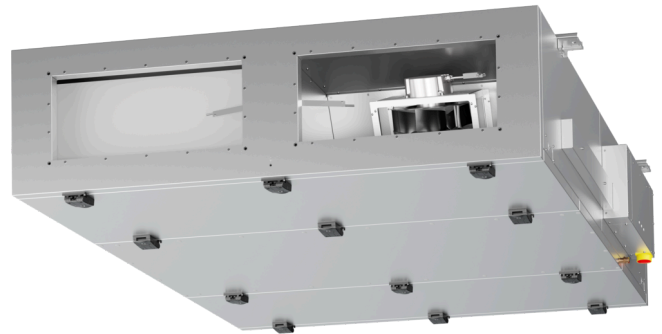


# ETA K 2500 F OOJL

163758

---

- Flat air handling unit with counter flow heat exchanger
- Ceiling mounting, version left
- Frameless, double wall housing made of galvanized steel sheet, insulated
- Constant air flow EC fans, integrated controls
- Automatic summer bypass
- Without heating, without cooling, panel filter F7/M5
- Constructed acc. to VDI 6022



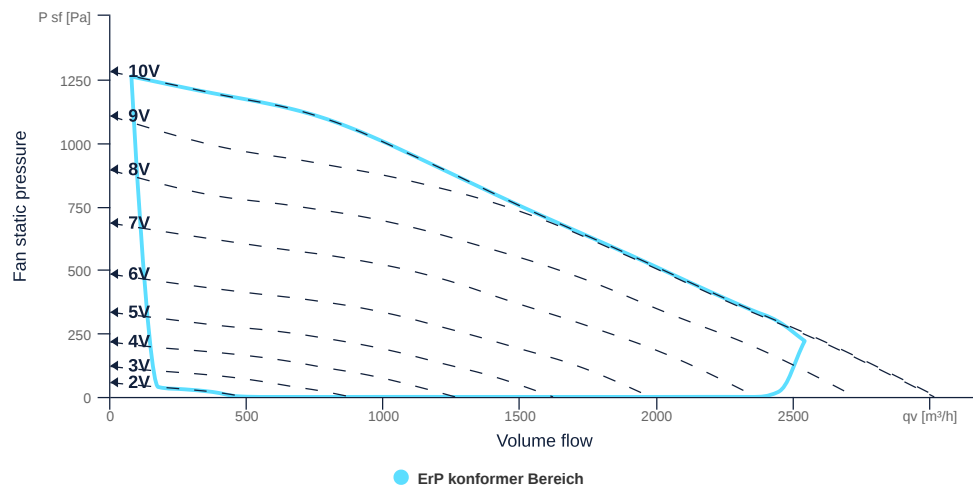
to the product detail page

# ETA K 2500 F OOJL

163758

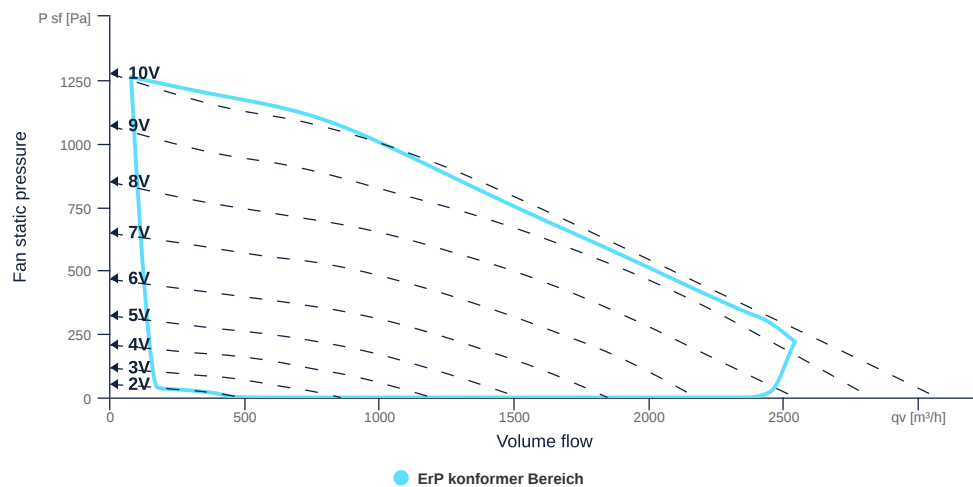
## MAP

Name	Value	Unit
Volume flow	0	m³/h
Pressure	0	Pa



## EXTRACT AIR MAP

Name	Value	Unit
Volume flow	0	m³/h
Pressure	0	Pa



to the product detail page

## GENERAL DATA

Name	Value	Unit	Formula symbol
Labeling	CE, UKCA		
Duct size	700x300		WxD <sub>duct</sub>
Rated voltage (entire device)	230	V	U <sub>rated</sub>
Phases (entire device)	1~		phase
Electrical protection (entire device)	10 A		fuse
Housing material	Galvanized steel		mat <sub>casing</sub>
IP-protection class (casing)	IP41		IP <sub>casing</sub>
IP-protection class (entire device)	IP41		IP <sub>compl</sub>
Weight	355	kg	m
Nominal air flow rate, nominal point m³/h	1562.4	m³/h	q <sub>v,nom</sub>
Nominal external pressure, static	652.3	Pa	p <sub>s,nom</sub>
Connection side supply air	Left		L/R
Type of the ventilation-unit	BVU - supply air		AHU <sub>type</sub>
Type of heat-recovery-system	recuperative		HRS <sub>type</sub>
Type of the heater	No		H <sub>type</sub>
Type of cooler	No		C <sub>type</sub>
Outdoor installation	No		outdoor
Speed control	variable speed control		VSD <sub>type</sub>
Filter class extract air	ISO ePM10 50%		F <sub>class, eta</sub>
Filter class supply air	ISO ePM1 55%		F <sub>class, sup</sub>

## ERP DATA (LOT 6)

Name	Value	Unit	Formula symbol
Energy performance supply air filter	E		
Energy performance extract air filter	E		
Thermal efficiency HRS, Nominal-point	82.4	%	tNRVU
Nominal air flow rate, nominal point m³/s	0.43	m³/s	q <sub>v,nom</sub>
Actual electrical input power, nominal point	1.21	kW	P <sub>e,nom</sub>
Internal specific fan power, nominal point	667.8	Ws/m³	SFP <sub>int</sub>
Face velocity, nominal point	1.1	m/s	V <sub>nom</sub>
Nominal external pressure, static	652.3	Pa	p <sub>s,nom</sub>
supply air fan static efficiency, nominal point	65.8	%	η <sub>es,SUP</sub>
static efficiency of the extract fan, nominal point	65.8	%	η <sub>es,EHA</sub>
Highest external air leakage rate	0.61	%	
Highest internal air leakage rate	7.42	%	
Enclosure sound level, nominal point	64	dB(A)	LWA2
Rating	Product is compliant 2018		



to the product detail page

# ETA K 2500 F OOJL

163758

**ruck**

## MAXIMAL DATA

Name	Value	Unit	Formula symbol
Max. power consumption (device)	1600	W	$P_{ed, max}$
Max. operating current (device)	7	A	$I_{ed, max}$
Max. speed	3400	1/min	$n_{max}$
Max. stat. efficiency	41.4	%	$\eta_{es}$
Max. fan efficiency	41.6	%	$\eta_e$
Max. flowrate	3030	m <sup>3</sup> /h	$q_{v, max}$
Max. stat pressure	1280	Pa	$p_{sf, max}$
Max. medium temperature	40	°C	$T_{m, max}$
Max. environment temperature	40	°C	$T_{amb, max}$
Min. environment temperature	-20	°C	$T_{amb, min}$

## FILTER DATA

Name	Value	Unit	Formula symbol
Degree of separation (supply air)	55	%	
Degree of separation (extract air)	50	%	
Filter group (extract air)	ISO ePM10		
Filter group (supply air)	ISO ePM1		

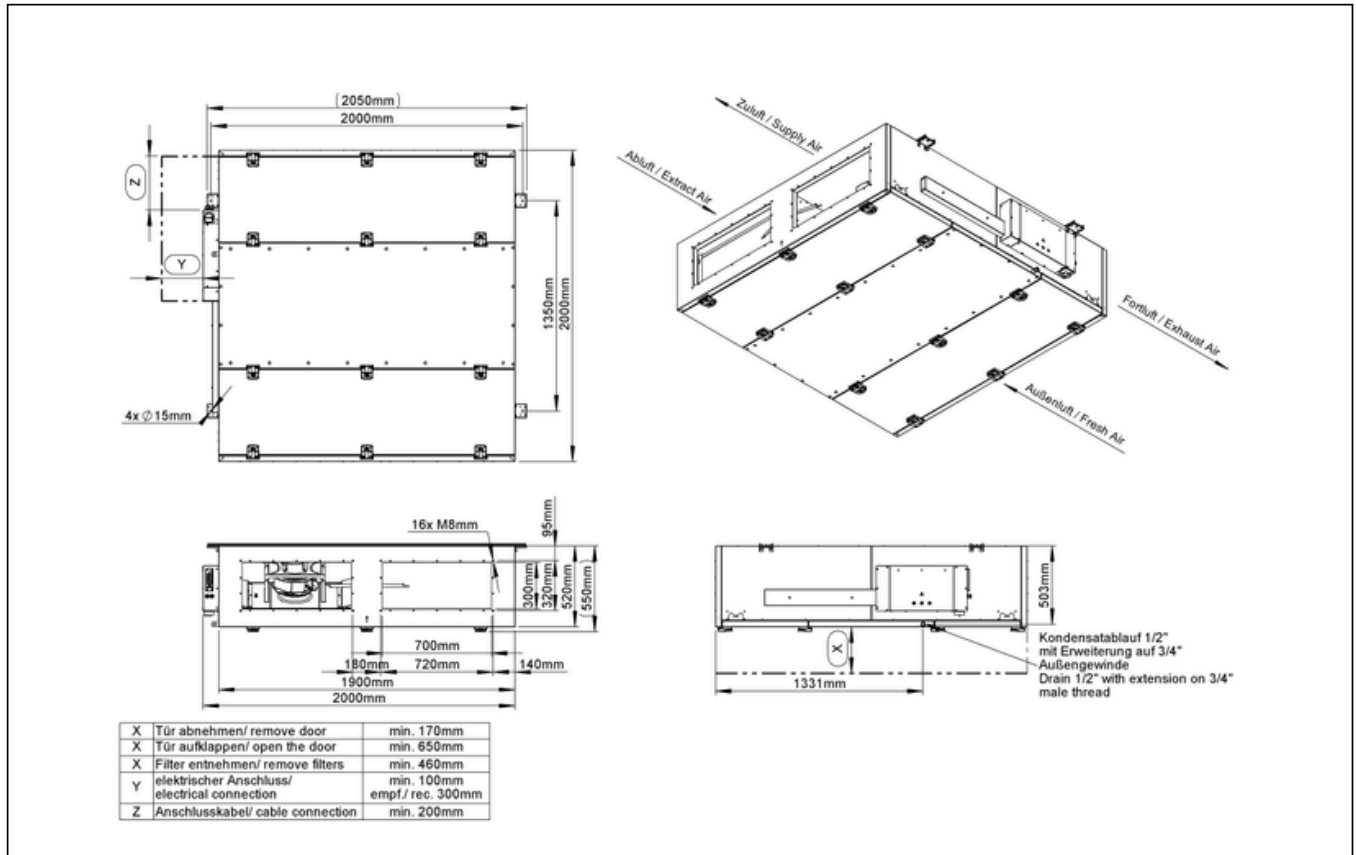
to the product detail page



# ETA K 2500 F OOJL

163758

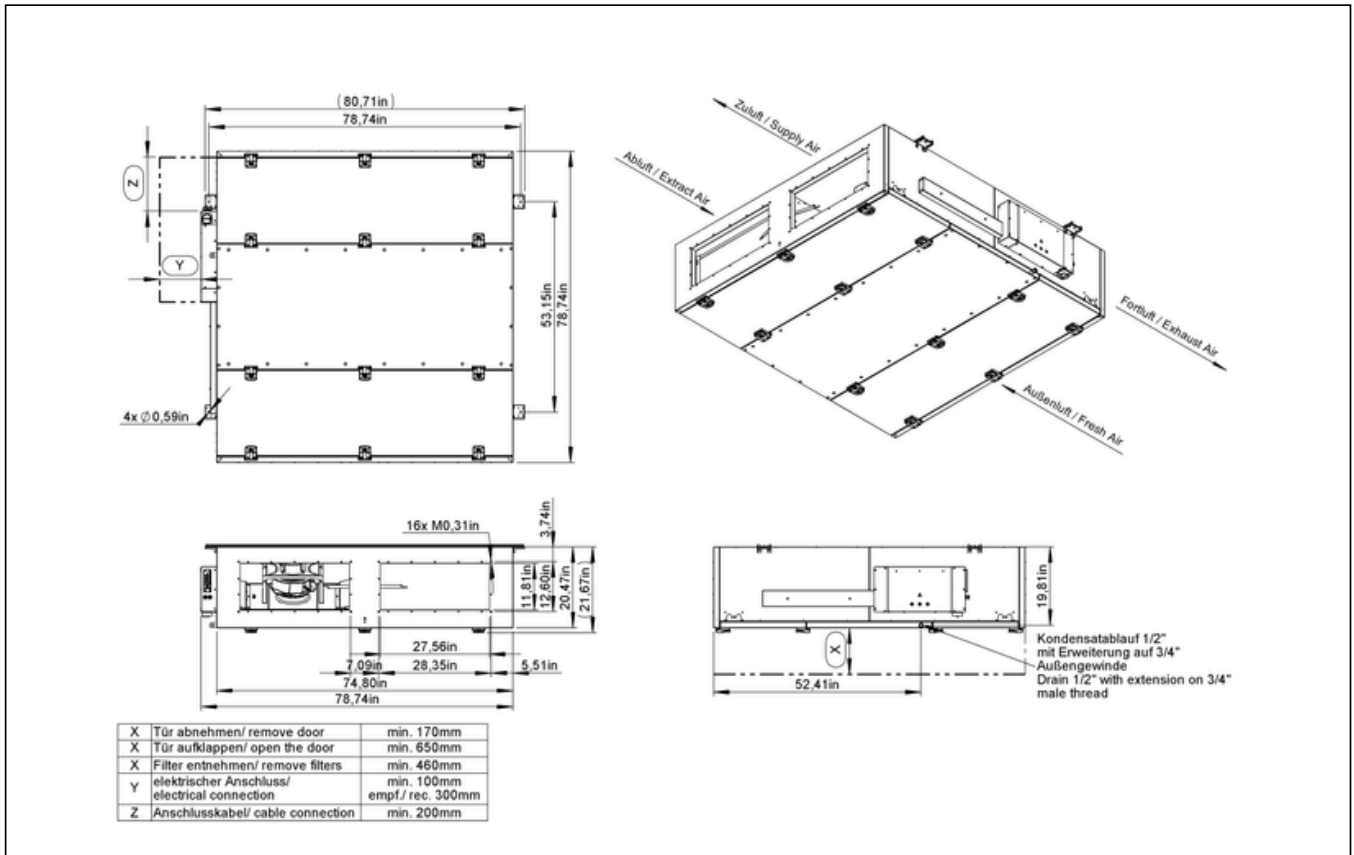
## CIRCUIT DIAGRAMS / DIMENSIONAL DRAWINGS



to the product detail page

# ETA K 2500 F OOJL

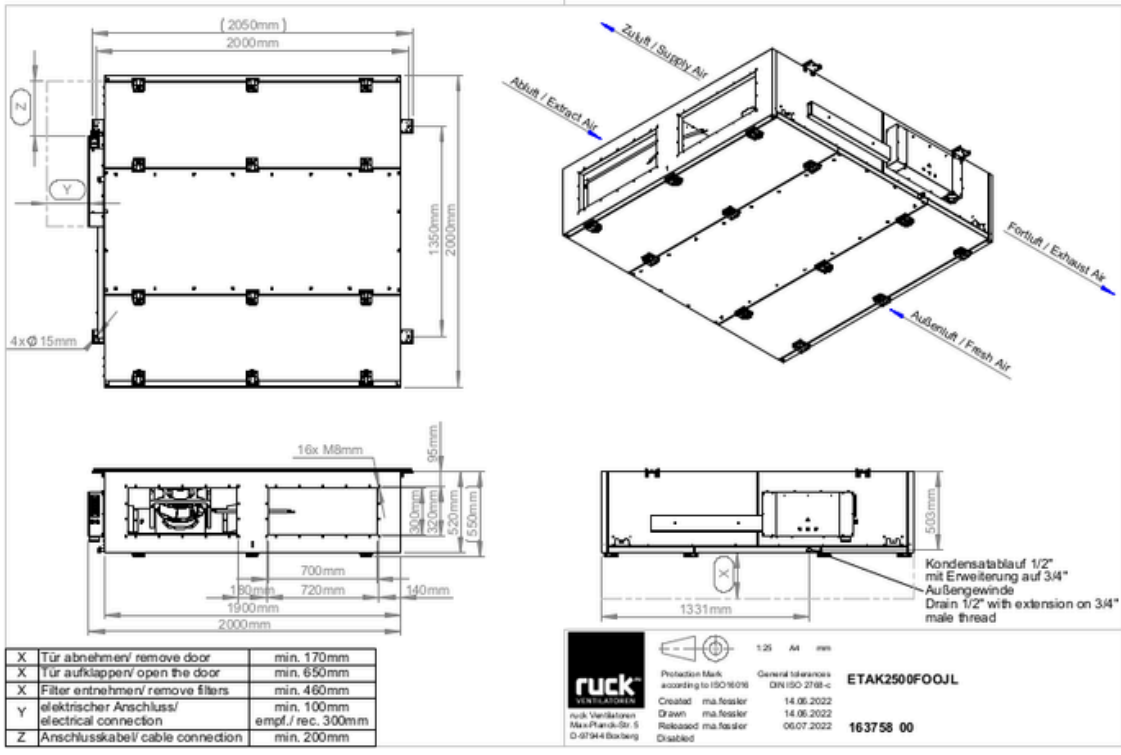
163758



to the product detail page

# ETA K 2500 F OOJL

163758



to the product detail page

# ETA K 2500 F OOJL

163758

X	Tür abnehmen/ remove door	min. 170mm
X	Tür aufklappen/ open the door	min. 650mm
X	Filter entnehmen/ remove filters	min. 460mm
Y	elektrischer Anschluss/ electrical connection	min. 100mm empf./ rec. 300mm
Z	Anschlusskabel/ cable connection	min. 200mm

<b>ruck</b> VENTILATOREN	Protection Mark according to ISO 9006	General tolerances DIN ISO 2768-c	<b>ETAK2500FOOJL</b>
ruck Ventilatoren Max-Planck-Str. 5 D-97944 Boxberg	Created: ma.fessler Drawn: ma.fessler Released: ma.fessler Disabled:	14.06.2022 14.06.2022 06.07.2022	<b>163758 00</b>



to the product detail page