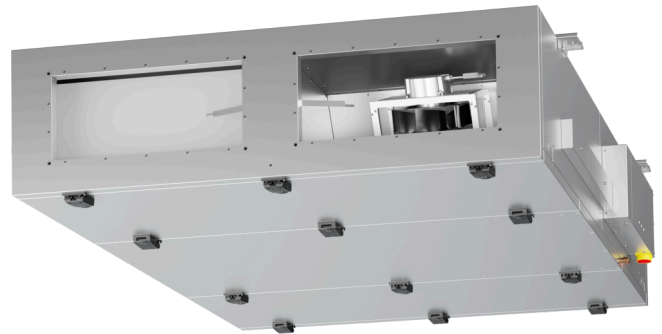


# ETA K 2500 F WOJL

163745

---

- Flat air handling unit with counter flow heat exchanger
- Ceiling mounting, version left
- Frameless, double wall housing made of galvanized steel sheet, insulated
- Constant air flow EC fans, integrated controls
- Automatic summer bypass
- Warm water heating, without cooling, panel filter F7/M5
- Constructed acc. to VDI 6022



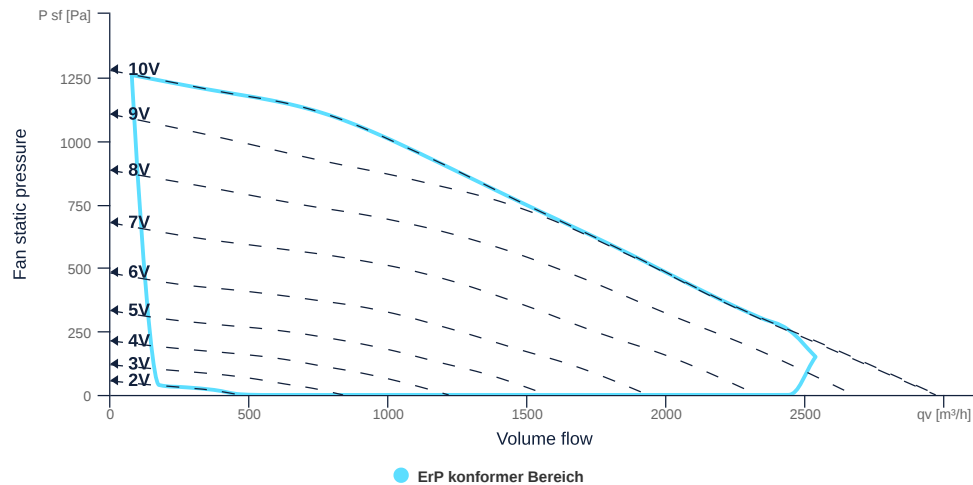
to the product detail page

# ETA K 2500 F WOJL

163745

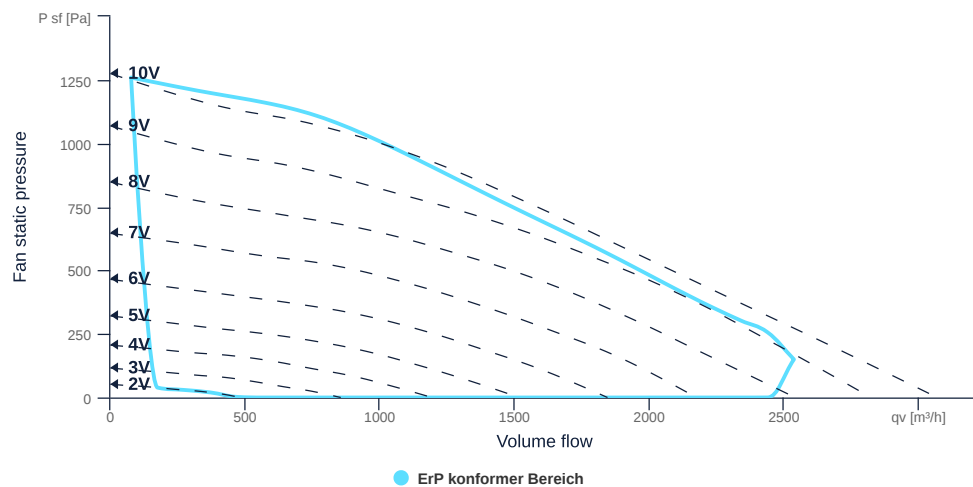
## MAP

| Name        | Value | Unit |
|-------------|-------|------|
| Volume flow | 0     | m³/h |
| Pressure    | 0     | Pa   |



## EXTRACT AIR MAP

| Name        | Value | Unit |
|-------------|-------|------|
| Volume flow | 0     | m³/h |
| Pressure    | 0     | Pa   |



to the product detail page

## GENERAL DATA

| Name   | Value                  | Unit              | Formula symbol          |
|--|------------------------|-------------------|-------------------------|
| Labeling   | CE, UKCA               |                   |                         |
| Duct size  | 700x300                |                   | WxH <sub>duct</sub>     |
| Rated voltage (entire device)                          | 230                    | V                 | U <sub>rated</sub>      |
| Phases (entire device)                                 | 1~                     |                   | phase                   |
| Electrical protection (entire device)                  | 10 A                   |                   | fuse                    |
| Housing material                                       | Galvanized steel       |                   | mat <sub>casing</sub>   |
| IP-protection class (casing)                           | IP41                   |                   | IP <sub>casing</sub>    |
| IP-protection class (entire device)                    | IP41                   |                   | IP <sub>compl</sub>     |
| Weight   | 355                    | kg                | m                       |
| Nominal air flow rate, nominal point m <sup>3</sup> /h | 1494                   | m <sup>3</sup> /h | q <sub>v,nom</sub>      |
| Nominal external pressure, static                      | 713.2                  | Pa                | p <sub>s,nom</sub>      |
| Connection side supply air                             | Left                   |                   | L/R                     |
| Type of the ventilation-unit                           | BVU - supply air       |                   | AHU <sub>type</sub>     |
| Type of heat-recovery-system                           | recuperative           |                   | HRS <sub>type</sub>     |
| Type of the heater                                     | Hot water              |                   | H <sub>type</sub>       |
| Type of cooler   | No                     |                   | C <sub>type</sub>       |
| Outdoor installation                                   | No                     |                   | outdoor                 |
| Speed control  | variable speed control |                   | VSD <sub>type</sub>     |
| Filter class extract air                               | ISO ePM10 50%          |                   | F <sub>class, eta</sub> |
| Filter class supply air                                | ISO ePM1 55%           |                   | F <sub>class, sup</sub> |

## ERP DATA (LOT 6)

| Name   | Value                     | Unit              | Formula symbol      |
|--|---------------------------|-------------------|---------------------|
| Energy performance supply air filter                   | E                         |                   |                     |
| Energy performance extract air filter                  | E                         |                   |                     |
| Thermal efficiency HRS, Nominal-point                  | 82.6                      | %                 | t <sub>NRVU</sub>   |
| Nominal air flow rate, nominal point m <sup>3</sup> /s | 0.42                      | m <sup>3</sup> /s | q <sub>v,nom</sub>  |
| Actual electrical input power, nominal point           | 1.27                      | kW                | P <sub>e,nom</sub>  |
| Internal specific fan power, nominal point             | 625.1                     | Ws/m <sup>3</sup> | SFP <sub>int</sub>  |
| Face velocity, nominal point                           | 1.1                       | m/s               | v <sub>nom</sub>    |
| Nominal external pressure, static                      | 713.2                     | Pa                | p <sub>s,nom</sub>  |
| supply air fan static efficiency, nominal point        | 65.8                      | %                 | η <sub>es,SUP</sub> |
| static efficiency of the extract fan, nominal point    | 65.8                      | %                 | η <sub>es,EHA</sub> |
| Highest external air leakage rate                      | 0.64                      | %                 |                     |
| Highest internal air leakage rate                      | 7.76                      | %                 |                     |
| Enclosure sound level, nominal point                   | 63                        | dB(A)             | LWA2                |
| Rating   | Product is compliant 2018 |                   |                     |



to the product detail page

# ETA K 2500 F WOJL

163745

**ruck**

## MAXIMAL DATA

| Name                            | Value | Unit              | Formula symbol |
|---------------------------------|-------|-------------------|----------------|
| Max. power consumption (device) | 1600  | W                 | $P_{ed, max}$  |
| Max. operating current (device) | 7     | A                 | $I_{ed, max}$  |
| Max. speed                      | 3400  | 1/min             | $n_{max}$      |
| Max. stat. efficiency           | 42    | %                 | $\eta_{es}$    |
| Max. fan efficiency             | 42.1  | %                 | $\eta_e$       |
| Max. flowrate                   | 2975  | m <sup>3</sup> /h | $q_{v, max}$   |
| Max. stat pressure              | 1280  | Pa                | $p_{sf, max}$  |
| Max. medium temperature         | 40    | °C                | $T_{m, max}$   |
| Max. environment temperature    | 40    | °C                | $T_{amb, max}$ |
| Min. environment temperature    | -20   | °C                | $T_{amb, min}$ |

## FILTER DATA

| Name                               | Value     | Unit | Formula symbol |
|------------------------------------|-----------|------|----------------|
| Degree of separation (supply air)  | 55        | %    |                |
| Degree of separation (extract air) | 50        | %    |                |
| Filter group (extract air)         | ISO ePM10 |      |                |
| Filter group (supply air)          | ISO ePM1  |      |                |

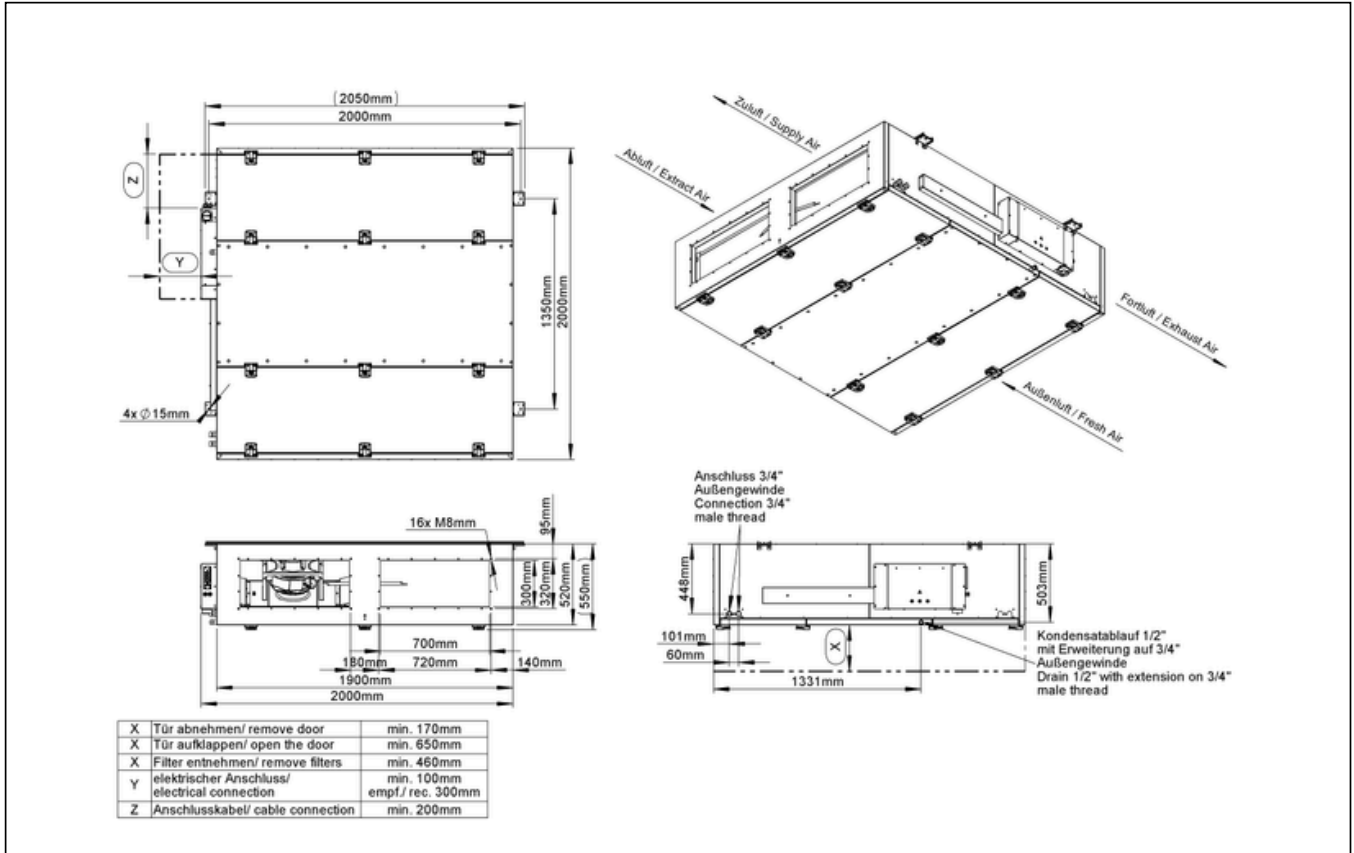


to the product detail page

# ETA K 2500 F WOJL

163745

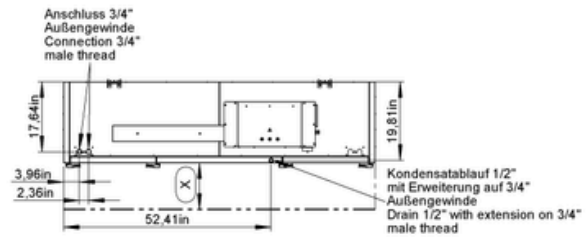
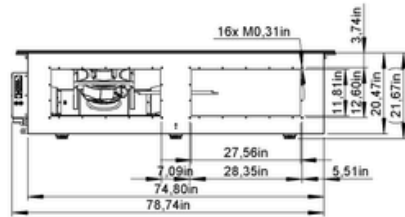
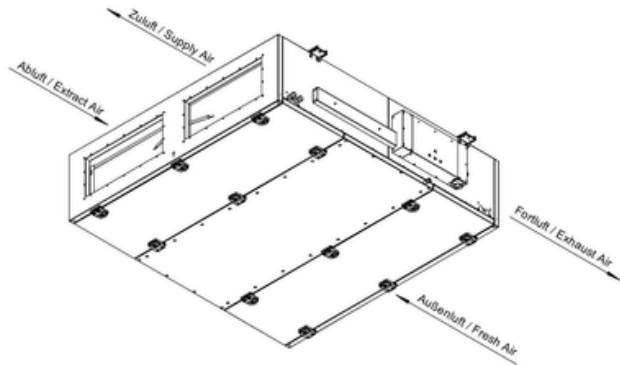
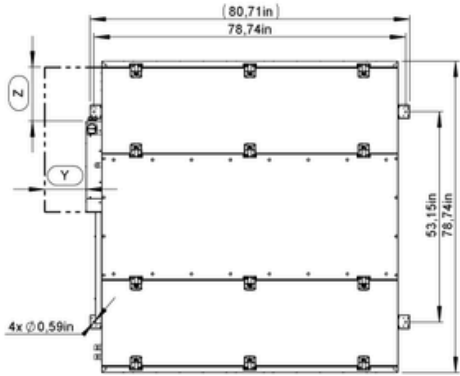
## CIRCUIT DIAGRAMS / DIMENSIONAL DRAWINGS



to the product detail page

# ETA K 2500 F WOJL

163745



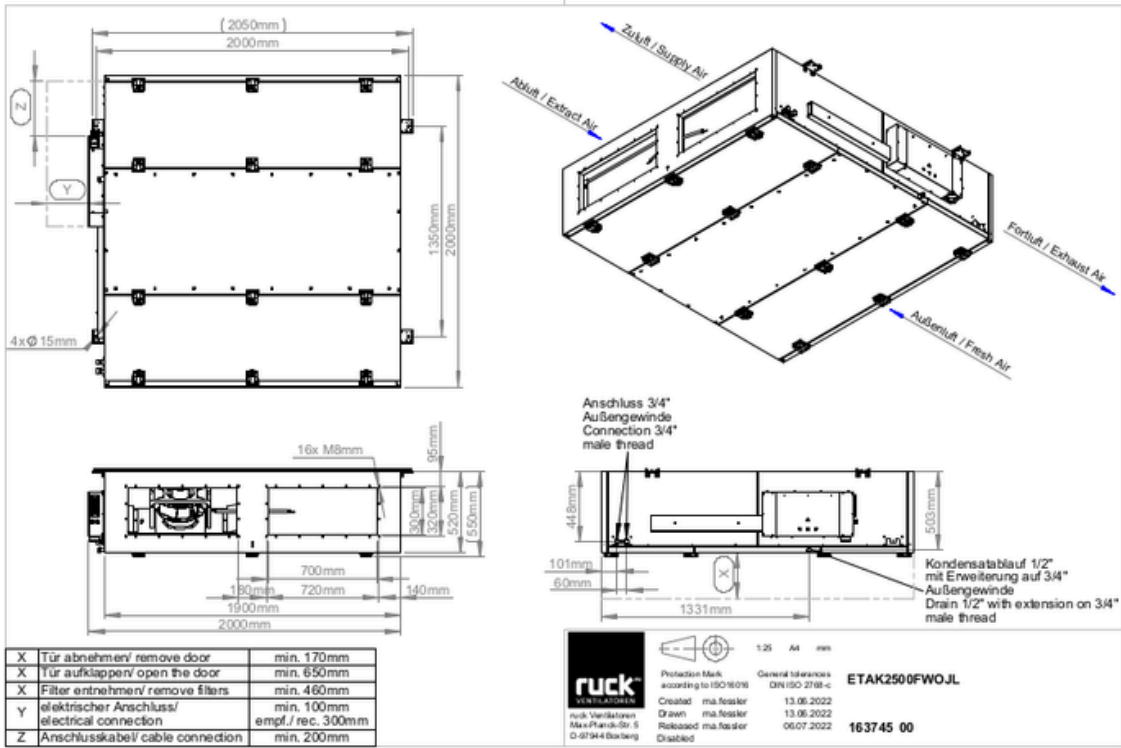
|   |   |                   |
|---|---|-------------------|
| X | Tür abnehmen/ remove door                     | min. 170mm        |
| X | Tür aufklappen/ open the door                 | min. 650mm        |
| X | Filter entnehmen/ remove filters              | min. 460mm        |
| Y | elektrischer Anschluss/ electrical connection | empf./ rec. 300mm |
| Z | Anschlusskabel/ cable connection              | min. 200mm        |



to the product detail page

# ETA K 2500 F WOJL

163745



**ruck** VENTILATOREN

Protection Mark according to ISO 9006

Created: ma.fessler 13.06.2022

Drawn: ma.fessler 13.06.2022

Released: ma.fessler 06.07.2022

Disabled

General tolerances DIN ISO 2768-c

ETAK2500FWOJL

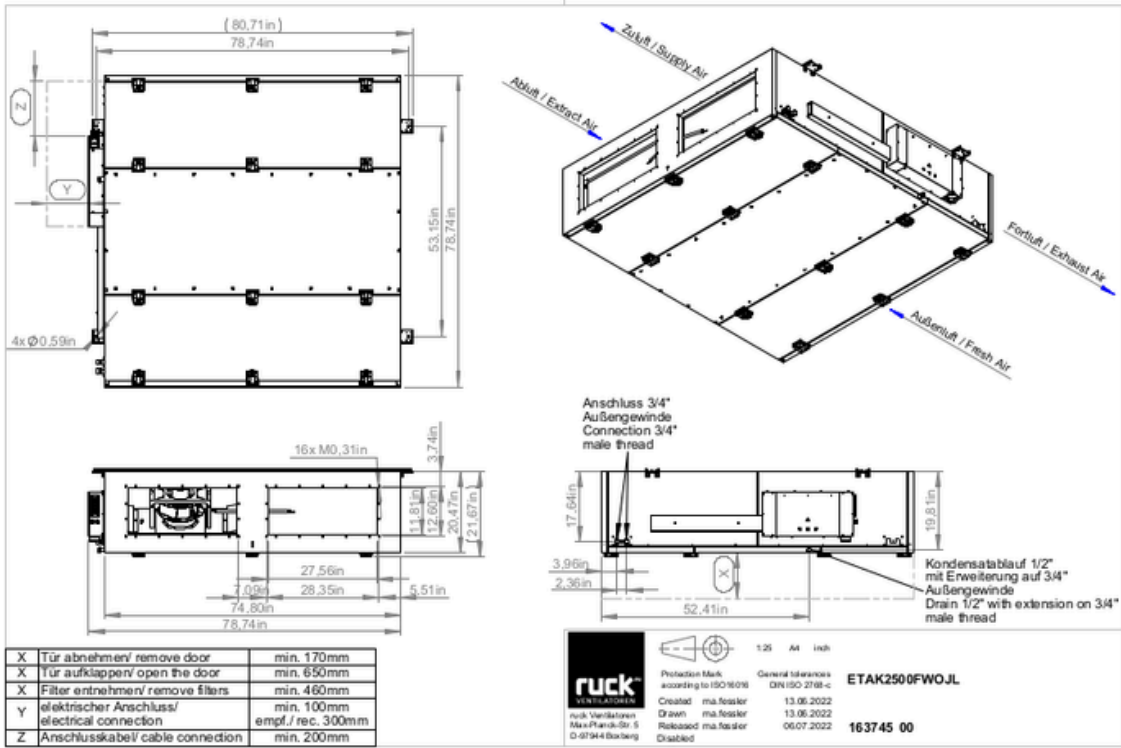
163745 00



to the product detail page

# ETA K 2500 F WOJL

163745



to the product detail page