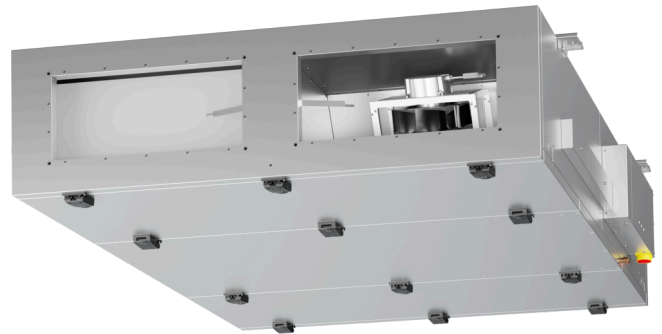


# ETA K 2800 F OOJL

171602

---

- Flat air handling unit with counter flow heat exchanger
- Ceiling mounting, version left
- Frameless, double wall housing made of galvanized steel sheet, insulated
- Automatic summer bypass
- Without heating, without cooling, panel filter F7/M5
- Constructed acc. to VDI 6022
- Attention: Please note the calculated cooling/heating capacity and the displayed volume of the DX coils



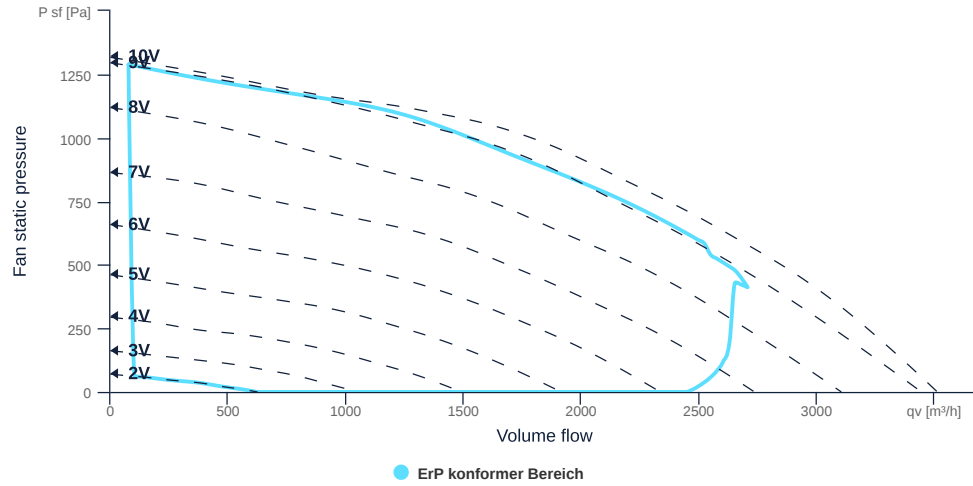
to the product detail page

# ETA K 2800 F OOJL

171602

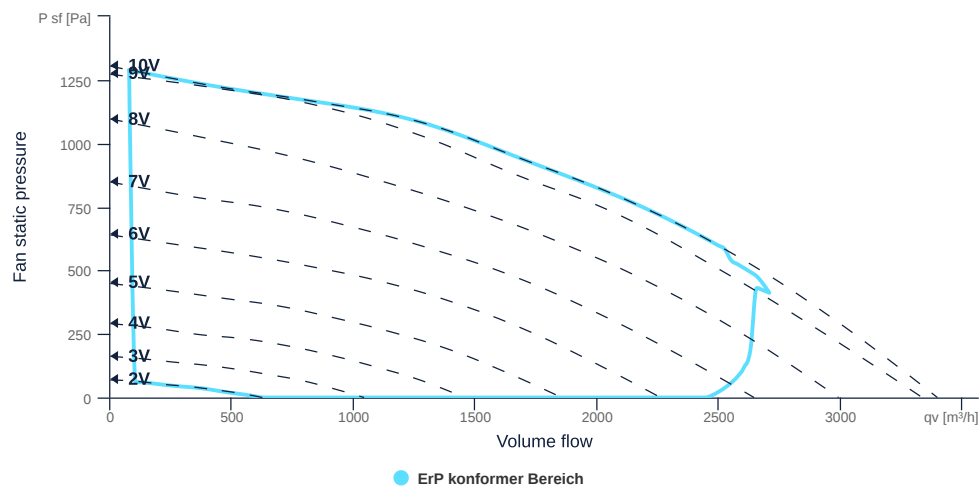
## MAP

Name	Value	Unit
Volume flow	0	m³/h
Pressure	0	Pa



## EXTRACT AIR MAP

Name	Value	Unit
Volume flow	0	m³/h
Pressure	0	Pa



to the product detail page

## GENERAL DATA

Name	Value	Unit	Formula symbol
Labeling	CE, UKCA		
Duct size	700x300		WxH <sub>duct</sub>
Rated voltage (entire device)	400	V	U <sub>rated</sub>
Phases (entire device)	3-N		phase
Electrical protection (entire device)	6 A		fuse
Housing material	Galvanized steel		mat <sub>casing</sub>
IP-protection class (casing)	IP41		IP <sub>casing</sub>
IP-protection class (entire device)	IP41		IP <sub>compl</sub>
IP-Protection class (terminal box)	IP44		IP <sub>ebox</sub>
Weight	339	kg	m
Nominal air flow rate, nominal point m <sup>3</sup> /h	2368.8	m <sup>3</sup> /h	q <sub>vnom</sub>
Nominal external pressure, static	200	Pa	ps, <sub>nom</sub>
Connection side supply air	Left		L/R
Type of the ventilation-unit	BVU - supply air		AHU <sub>type</sub>
Type of heat-recovery-system	recuperative		HRS <sub>type</sub>
Type of the heater	No		H <sub>type</sub>
Type of cooler	No		C <sub>type</sub>
Outdoor installation	No		outdoor
Speed control	variable speed control		VSD <sub>type</sub>
Filter class extract air	ISO ePM10 50%		F <sub>class, eta</sub>
Filter class supply air	ISO ePM1 55%		F <sub>class, sup</sub>

## ERP DATA (LOT 6)

Name	Value	Unit	Formula symbol
Energy performance supply air filter		E	
Energy performance extract air filter		E	
Thermal efficiency HRS, Nominal-point	80.22	%	t <sub>NRVU</sub>
Nominal air flow rate, nominal point m <sup>3</sup> /s	0.66	m <sup>3</sup> /s	q <sub>v, nom</sub>
Actual electrical input power, nominal point	1.13	kW	P <sub>e, nom</sub>
Internal specific fan power, nominal point	1002.98	Ws/m <sup>3</sup>	SFP <sub>int</sub>
Face velocity, nominal point	1.73	m/s	V <sub>nom</sub>
Nominal external pressure, static	200	Pa	ps, <sub>nom</sub>
supply air fan static efficiency, nominal point	53.68	%	η <sub>es, SUP</sub>
static efficiency of the extract fan, nominal point	59.44	%	η <sub>es, EHA</sub>
Enclosure sound level, nominal point	61.81	dB(A)	L <sub>WA2</sub>
Rating	Product is compliant 2018		
Internal pressure drop of ventilation components supply air, nominal point	254.73	Pa	dp <sub>vent, nom, int, SUP</sub>
Internal pressure drop of ventilation components extract air, nominal point	314.12	Pa	dp <sub>vent, nom, int, EHA</sub>



to the product detail page

# ETA K 2800 F OOJL

171602

**ruck**

## MAXIMAL DATA

Name	Value	Unit	Formula symbol
Max. power consumption (device)	2250	W	$P_{ed, max}$
Max. operating current (device)	3.5	A	$I_{ed, max}$
Max. speed	3480	1/min	$n_{max}$
Max. stat. efficiency	43.9	%	$\eta_{es}$
Max. fan efficiency	44	%	$\eta_e$
Max. flowrate	3510	m <sup>3</sup> /h	$q_{v, max}$
Max. stat pressure	1320	Pa	$p_{sf, max}$
Max. medium temperature	40	°C	$T_{m, max}$
Max. environment temperature	40	°C	$T_{amb, max}$
Min. environment temperature	-20	°C	$T_{amb, min}$

## FILTER DATA

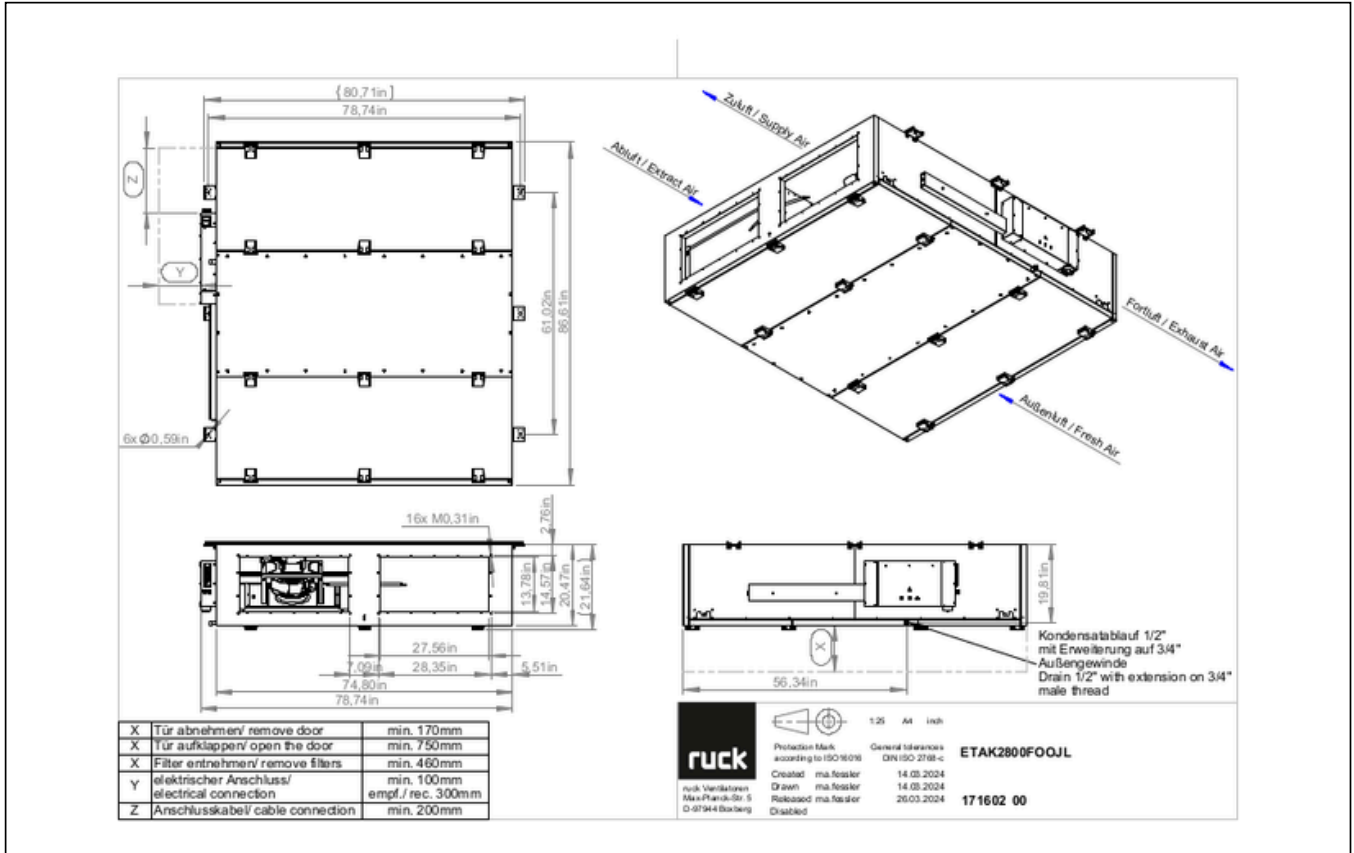
Name	Value	Unit	Formula symbol
Degree of separation (supply air)	55	%	
Degree of separation (extract air)	50	%	
Filter group (extract air)	ISO ePM10		
Filter group (supply air)	ISO ePM1		



# ETA K 2800 F OOJL

171602

## CIRCUIT DIAGRAMS / DIMENSIONAL DRAWINGS



# ETA K 2800 F OOJL

171602

**Dimensions:**  
 Front view: [2050] 2000, 1550, 2200  
 Side view: 16x M8, 70, 350, 370, 520, [550], 180, 700, 720, 140, 1900, 2000  
 Detail view: 503, 1431

**Flow Directions:**  
 Zuluft / Supply Air  
 Abluft / Extract Air  
 Fortluft / Exhaust Air  
 Außenluft / Fresh Air

**Notes:**  
 X Tür abnehmen/ remove door min. 170mm  
 X Tür aufklappen/ open the door min. 750mm  
 X Filter entnehmen/ remove filters min. 460mm  
 Y elektrischer Anschluss/ electrical connection min. 100mm empf./ rec. 300mm  
 Z Anschlusskabel/ cable connection min. 200mm

**Technical Specifications:**  
 Protection Mark according to ISO 9006  
 Created: ma.fessler 14.03.2024  
 Drawn: ma.fessler 14.03.2024  
 Released: ma.fessler 26.03.2024  
 Disabled

**General tolerances:** DIN ISO 2768-c

**Model:** ETAK2800FOOJL

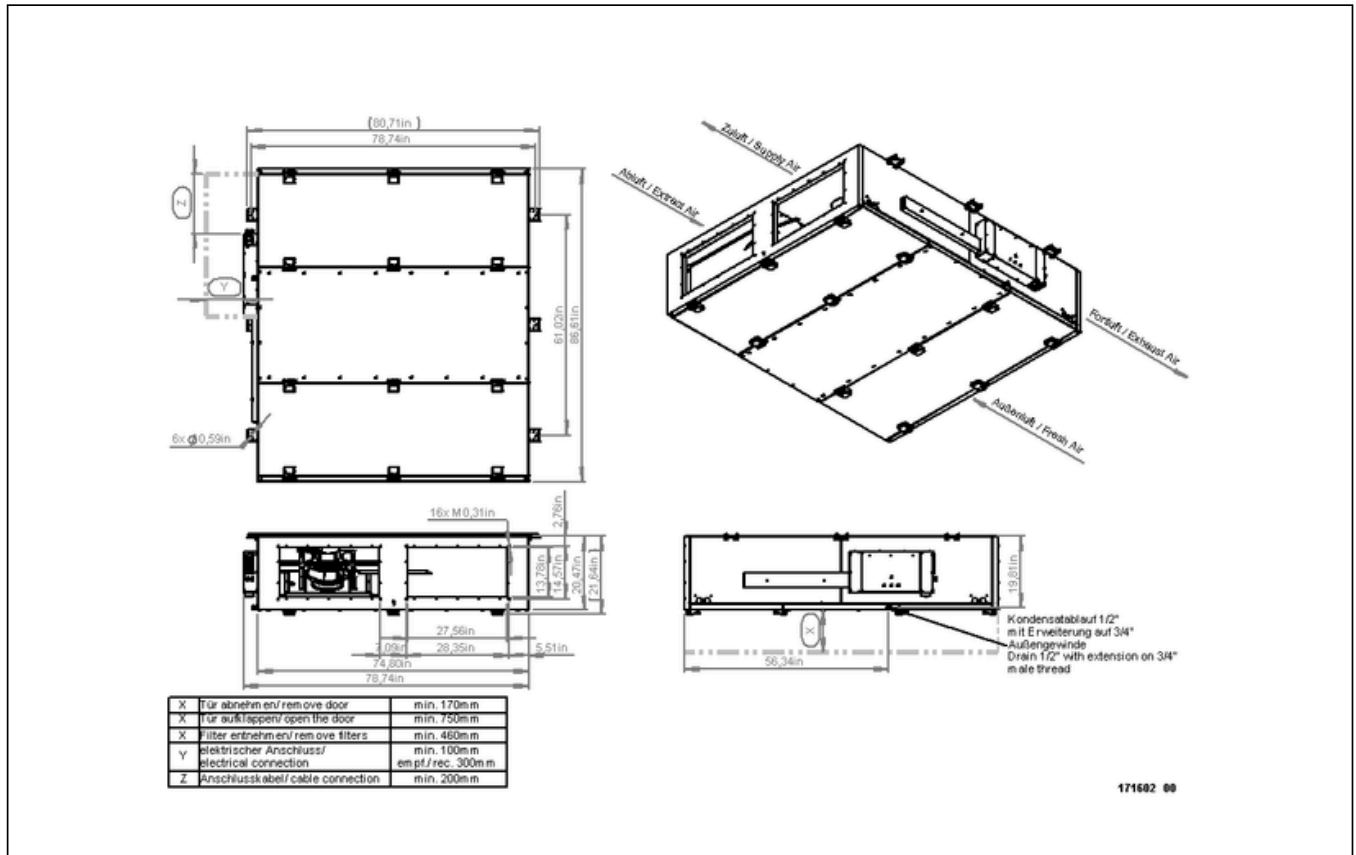
**Part Number:** 171602 00

**Additional Note:** Kondensatablauf 1/2" mit Erweiterung auf 3/4" Außengewinde  
 Drain 1/2" with extension on 3/4" male thread



# ETA K 2800 F OOJL

171602



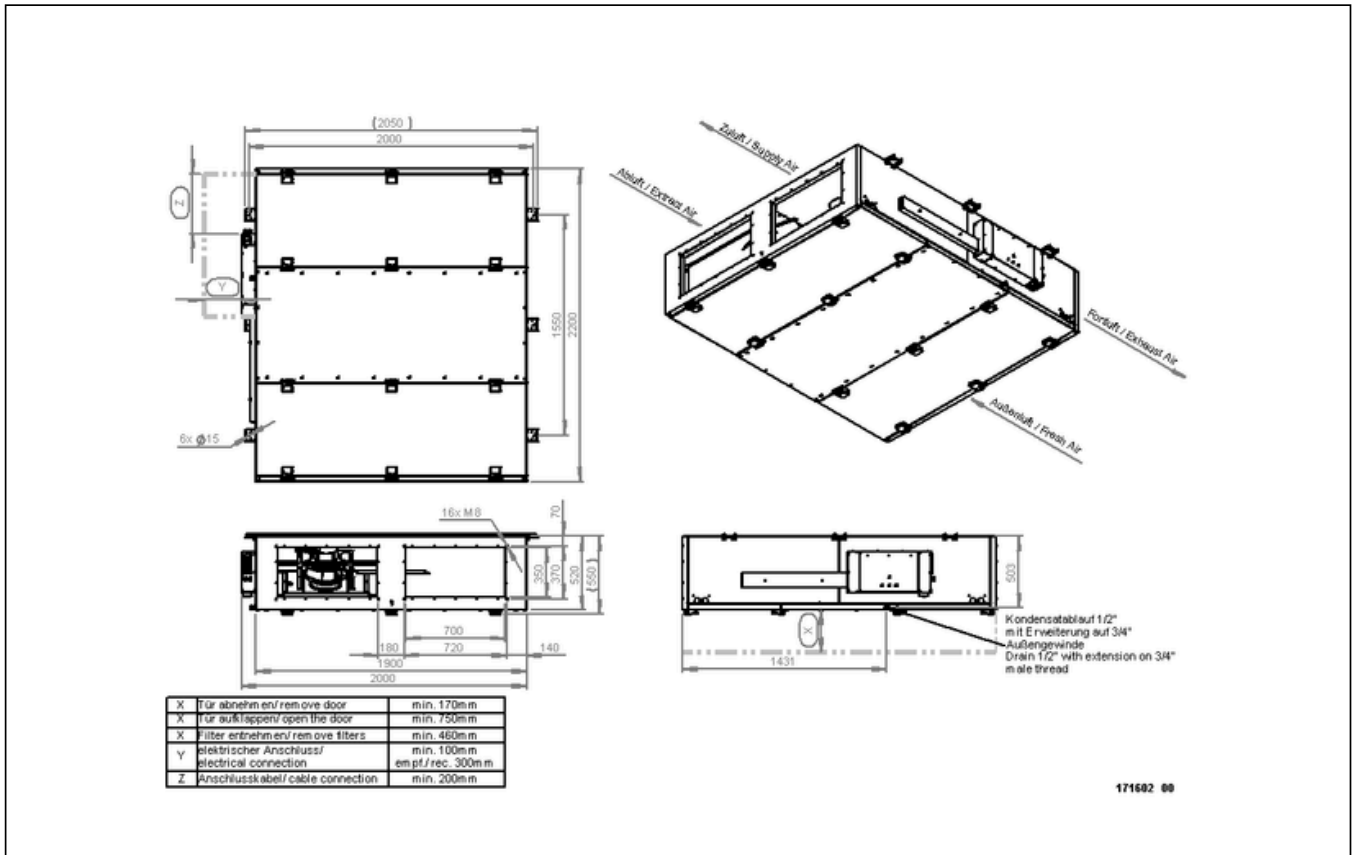
171602 00



to the product detail page

# ETA K 2800 F OOJL

171602



171602 00

